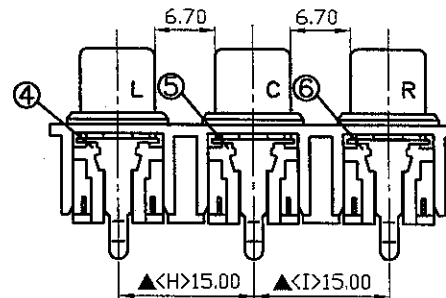
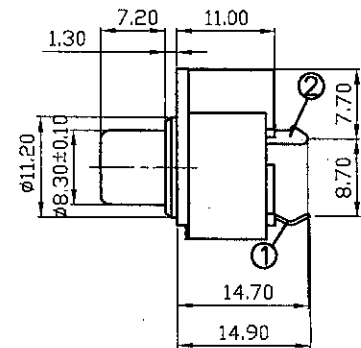
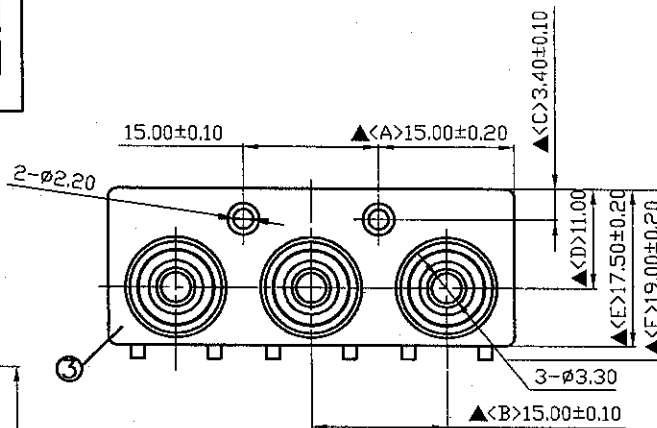


Pin Hole Layout
(Jack Bottom View)



NO.	Description	Material	Q'TY	Finish
6.	Housing	PBT	1	Red Color
5.	Housing	PBT	1	White Color
4.	Housing	PBT	1	Yellow Color
3.	Base	PBT	1	Black Color
2.	Pin	0.6T Brass	3	Silver Plated
1.	Earth Terminal	0.4T Brass	3	Nickel Plated

DATE	DWN	CHKD
01.30.2007		

PART NAME: PIN JACK

TOLERANCE: ±0.3mm UNLESS OTHERWISE SPECIFIED UNIT: mm

RoHS Compliant For Reference 僅供參考

SPECIFICATIONS:

Contact Resistance : 30mΩ max
 Insulation Resistance : 100MΩ min.at DC500V
 Dielectric Withstand Voltage: AC 500V for one minute
 Remark: ▲: The Most Important Dimension

SHOGYO INTERNATIONAL CORP.

SCP678CNS432U00G