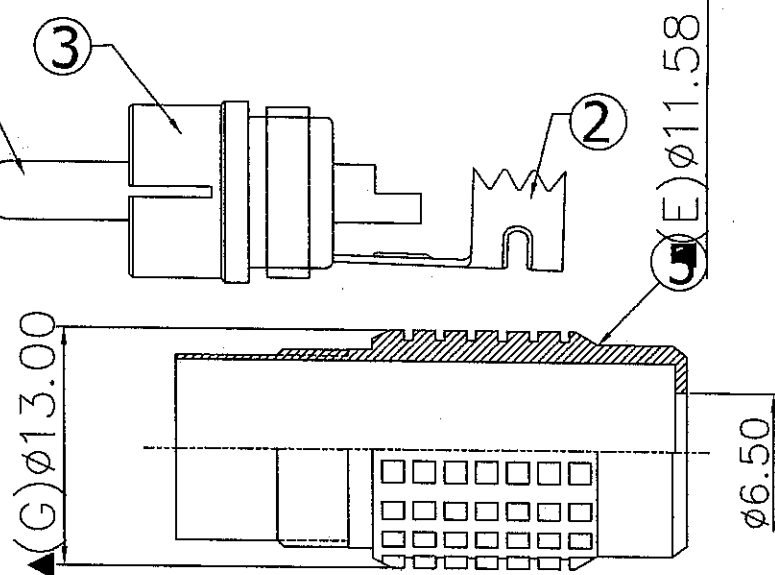
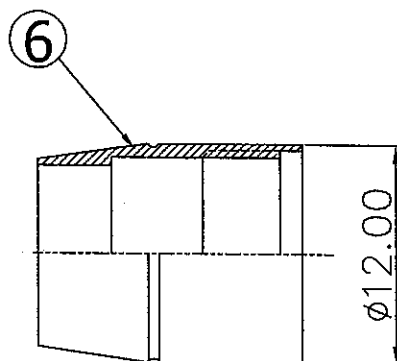
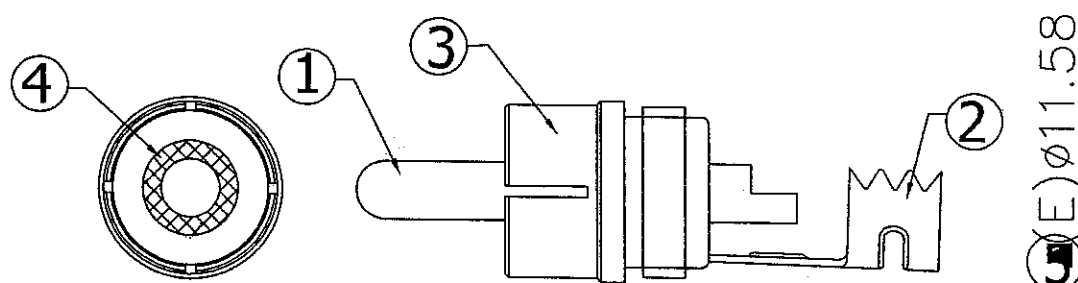


Washer



7.	Washer	Aluminum	1	Magenta Color
6.	Metal Shell-B	Aluminum	1	Black Color
5.	Metal Shell-A	Aluminum	1	Black Color
4.	Insulator	PVC	1	White Color
3.	Barrel	Brass	1	Gold Plated
2.	Earth Terminal	Brass	1	Gold Plated
1.	Tip Terminal	Brass	1	Gold Plated
NO.	Description	Material	Q'TY	Finish

DATE	DWN	CHKD
12.22.2005		

PART NAME : PIN PLUG

TOLERANCE :  $\pm 0.3\text{mm}$  UNLESS OTHERWISE SPECIFIED

UNIT: mm

RoHS Compliant For Reference 僅供參考

SPECIFICATIONS:

Contact Resistance : 30m $\Omega$  max  
 Insulation Resistance : 100M $\Omega$  min. at DC 500V  
 Dielectric Withstand Voltage : AC 500V for one minute  
 Remark: ▲: The Most Important Dimension

**SHOGYO INTERNATIONAL CORP.**

# SCPP2040G0BDR00G