

Unit: mm

Maximum Input Voltage(Vp-p)		30
Resonant Frequency (KHz)		4.4 ± 0.5
Resonant Resistance(ohm max)		300
Electrostatic Capacity 120HZ/1V(pF±30%)		18,000
Shape and material		Brass
Dimension (mm)	A ±0.1	∅27.0
	B ±0.5	∅19.8
	T ±0.1	0.5
	t ±0.05	0.25

TITLE PIEZOELECTRIC CERAMIC BUZZER ELEMENT		PART NO. SEB-27D44
APPROVALS	SCALE: 3:1	
DRAWN FENG 99' 4/27	UNIT: mm	
CHECKED Fei 99' 4/27	EDITION: 1	MATERIAL
APPROVED T.V. Wang 6/27/99	SHEET 1 OF 1	



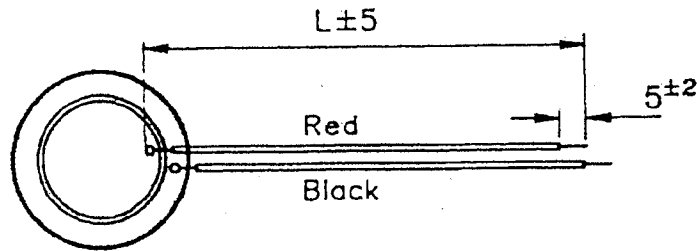
6851 Jericho Turnpike
 Syosset, New York 11791
 Tel # 516-921-9111
 Fax # 516-921-3777

RE: Piezo Element to solder with wire leads

The soldering positions of the wires assembly on the Piezoelectric Ceramic Element
(Element soldered with leads guage NO. AWG#32 and stripped length +/- 5 mm at the end of leads)

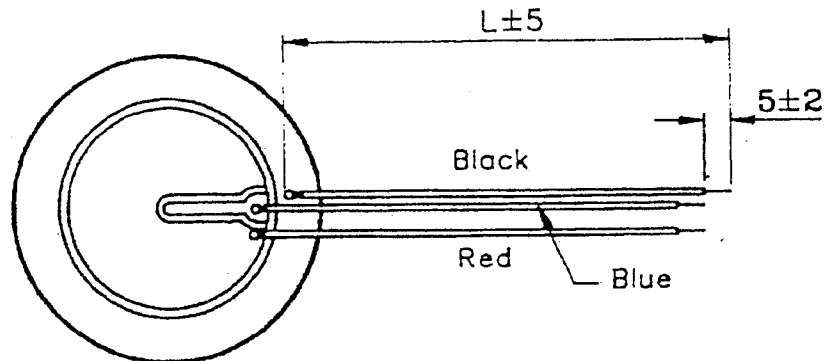
1) External Drive types series (two wires)

<PS>The additional cost will plus (+) US\$0.09 each pcs



2) Self drive types series (three wires)

<PS>The additional cost will plus (+) US\$0.135 each pcs



3) Length of wires :

A) 50 mm (min. wire length)

B) 100 mm

C) 150 mm

D)) Other length of wires : PLS advice the special length.

(E)The min. Q'TY of Piezo Element soldering with leads series should be 1000 pcs per single lot shipment for single one model.