

Ceramic Element

SEB-35D26

DATE:2009.07.15

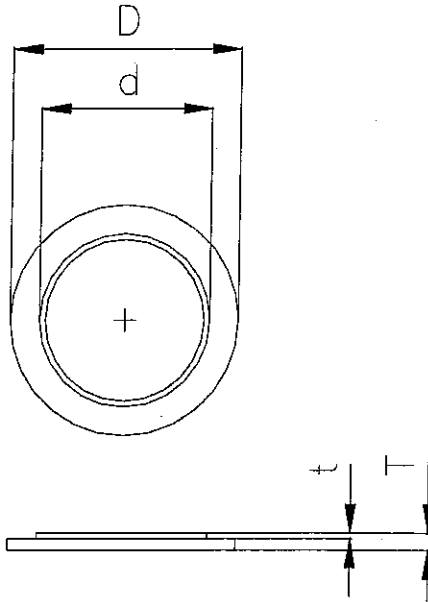
■ SPECIFICATION

VER . 2

Dimension	As per drawing below in mm
Type	External drive type element
Resonant Frequency (KHz)	2.6 ± 0.5
Input Voltage (Vp-p/max.)	30
Resonant Impedance (Ω /max.)	300
Capacitance (pF)	$30,000 \pm 30\%$ at 100Hz
Operating Temperature ($^{\circ}\text{C}$)	-20 ~ +60
Storage Temperature ($^{\circ}\text{C}$)	-20 ~ +70
Base Material	Brass

■ Dimensions (mm)

1. D: 35.0 ± 0.1
2. d: 25.0 ± 0.3
3. T: 0.47 ± 0.05
4. t: 0.21 ± 0.02



SHOGYO

SHOGYO INTERNATIONAL CORP.
6851 JERICHO TURNPIKE, SYOSSET, N.Y. 11791
TEL: (516) 921-9111 • FAX: (516) 921-3777
www.shogyo.com