



PART NUMBERING KEY:

SHO-12WAB-XXX-YYY-Q-Z

SHO: SHOGYO

12WAB: 12 Watt Series with Flat-Sided Case

XXX: Indicates Output Voltage. Available from 3.0VDC – 24.0VDC (030 – 240)

YYY: Indicates Output Current. Available from 0.01A – 3.00A (001 – 300)

*Voltage multiplied by Current must equal a number no greater than the Wattage (12).

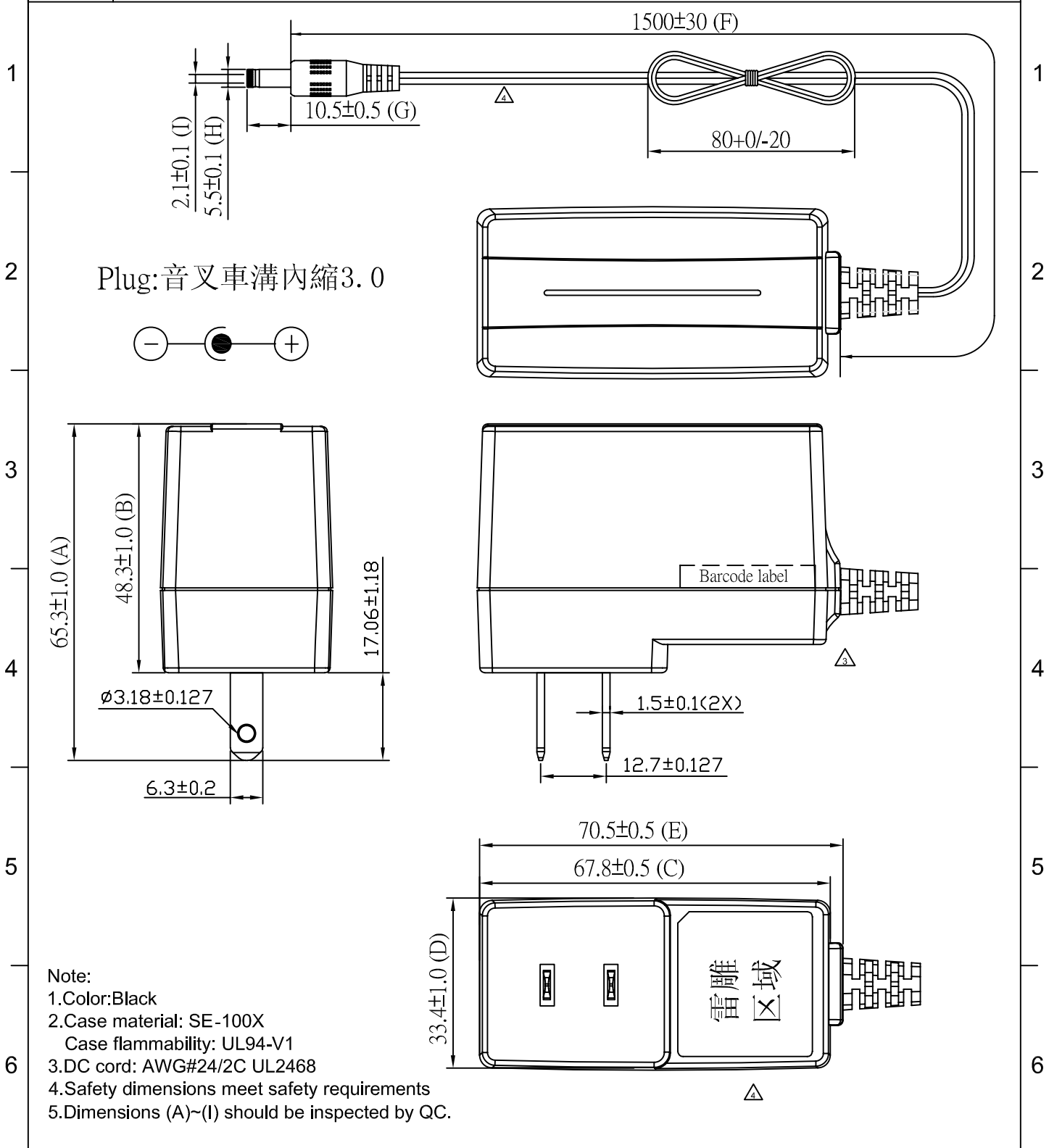
Q: Indicates Type of Input Prongs (1=United States, 2=European, 3=United Kingdom, 4=Australian)

Z: Indicates Type of Output Plug (2.5 x 5.5mm DC Plug, Strip & Tin, etc.)

EXAMPLE: 12V, 1.0A Power Supply with U.S. Input Prongs and a 2.1 x 5.5mm DC Plug = **SHO-12WAB-120-100-1-2.1 x 5.5mm DC Plug**

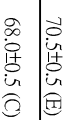
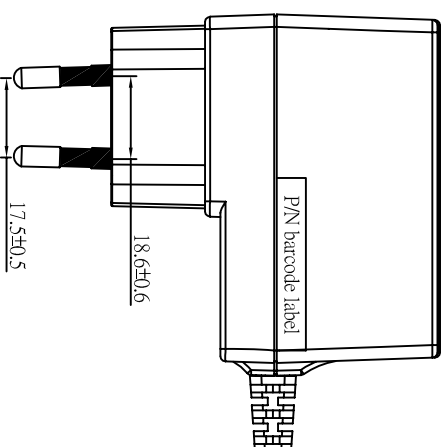
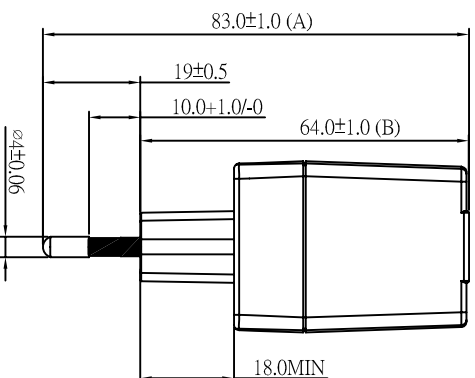
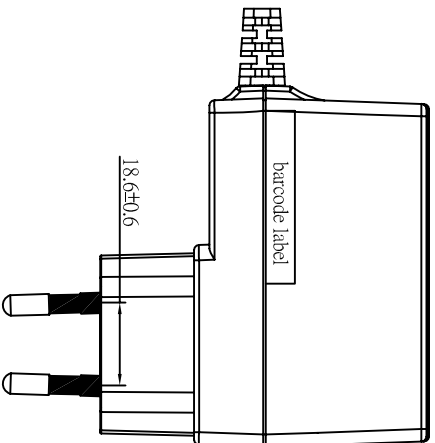
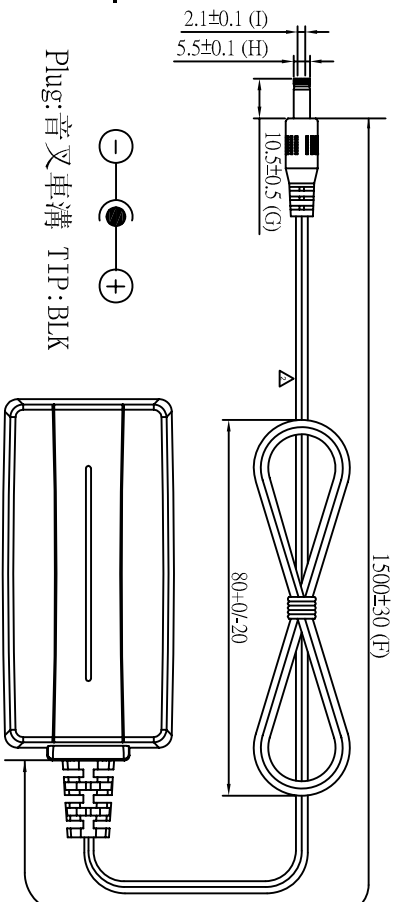
- **SPECIAL OPTIONS AND CUSTOM DESIGNS AVAILABLE (PLEASE CONTACT SHOGYO DIRECTLY AT INFO@SHOGYO.COM)**
- **CONTACT SHOGYO DIRECTLY FOR COMPLETE SPECIFICATIONS**





△		電源線料號改為2601009050000 Label改為雷雕	2014.12.16		UNIT	mm	
△		本體的barcode label改為FXN barcode label	2014.09.02	ECR-145213	SCALE		ISSUED DATE 12/OCT/12
△		增加LEI LB詳細內容	2013.07.11	ECA-232312	DRAWN BY	Z.H	CHECKED BY DOOM.XIE
7	REV.	ZONE	DESCRIPTION	DATE	ECA NO.	DESIGNED BY XU TENG	APPROVED BY ZQ.WANG

- Note:**
1. Color: Black
 2. Case material: SE-100X
Case flammability: UL94-V1
 3. DC cord: AWG#24/2C UL 2468
 4. Safety dimensions meet safety requirements
 5. Dimensions (A)~(I) should be inspected by QC.



REV.	ZONE	DESCRIPTION	DATE	ECA NO.	DESIGNED BY	YUECHUNG	APPROVED BY	ZQI WANG
Δ		電線線料規格代碼:26011009090000 LABEL改:2/新增	2014.12.16					
Δ		新出藍圖						



ITEM NO.:
OUTLINE DRAWING

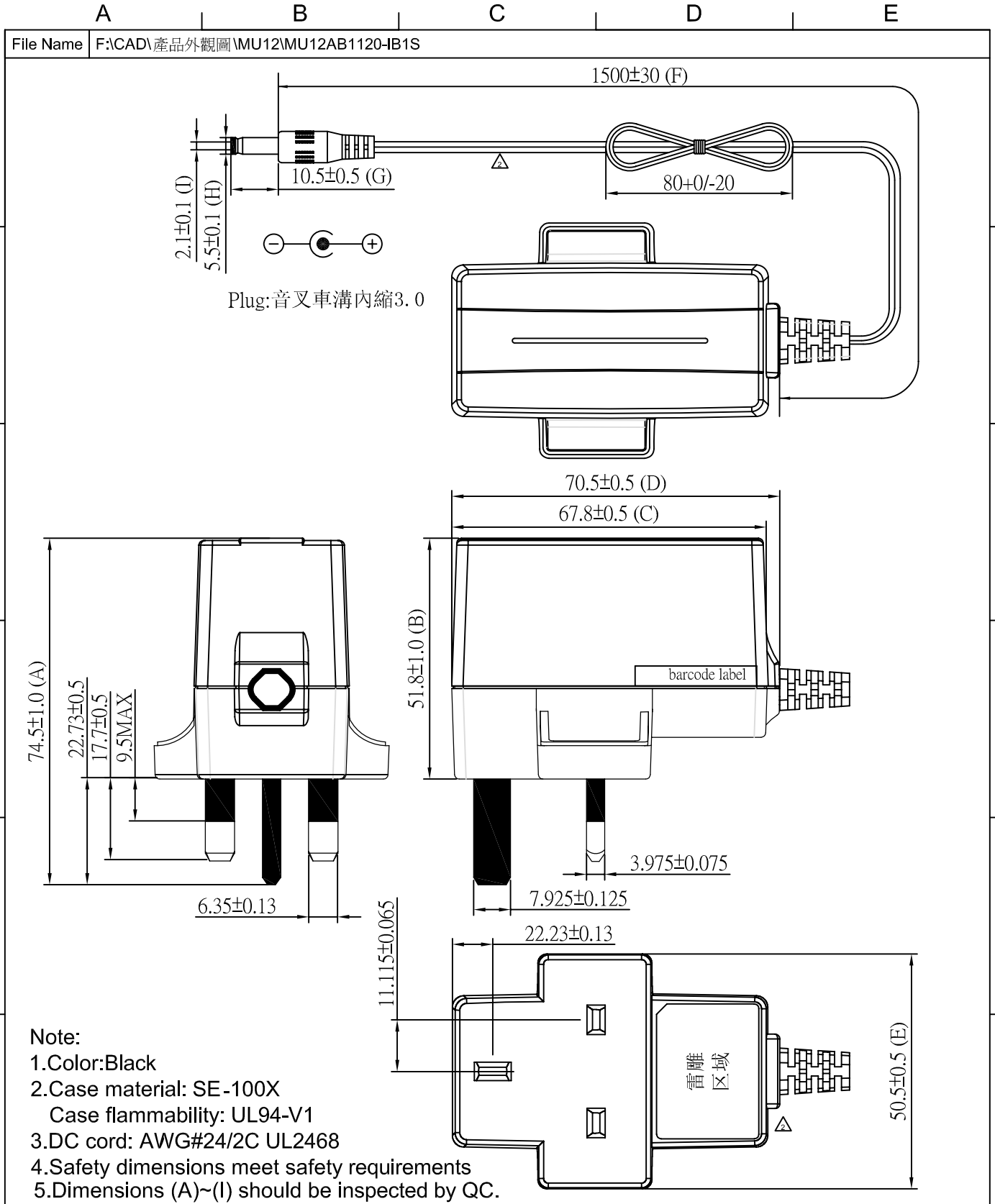
DRAWING NO.
MU12AB1120-KARS

SHEET
1 OF 1

A B C D E F G

5 4 3 2 1

5 4 3 2 1



Note:
 1.Color:Black
 2.Case material: SE-100X
 Case flammability: UL94-V1
 3.DC cord: AWG#24/2C UL2468
 4.Safety dimensions meet safety requirements
 5.Dimensions (A)~(I) should be inspected by QC.

					UNIT	mm	
		電源線料號改為2601009050000 LABEL改為雷雕	2014.12.16		SCALE		ISSUED DATE 18/OCT/13
		新出藍圖			DRAWN BY	YIUCHUNG	CHECKED BY DOOM.XIE
7	REV.	ZONE	DESCRIPTION	DATE	ECA NO.	DESIGNED BY GONG CHEN	APPROVED BY ZQ.WANG
SHIGYO		ITEM NO. :			DRAWING NO.		SHEET
		OUTLINE DRAWING			MU12AB1120-IB1S		1 OF 1

A B C D E