



PART NUMBERING KEY:

SHO-150WD-XXX-YYYY-Q-Z

SHO: SHOGYO

150WD: 150 Watt Desktop Series

XXX: Indicates Output Voltage. Available from 12.0VDC – 48.0VDC (120 – 480)

YYYY: Indicates Output Current. Available from 00.01A – 12.50A (0001 – 1250)

*Voltage multiplied by Current must equal a number no greater than the Wattage (150).

Q: Indicates Type of AC Input Cord (0=Without, 1=United States, 2=European, 3=United Kingdom, 4=Australian)

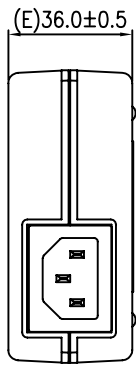
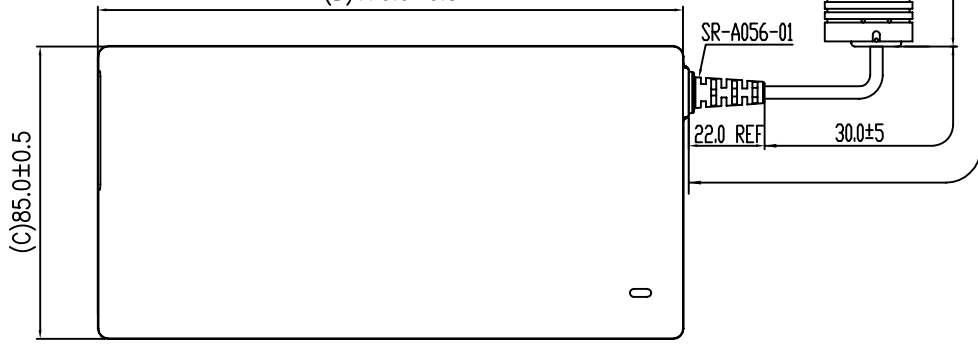
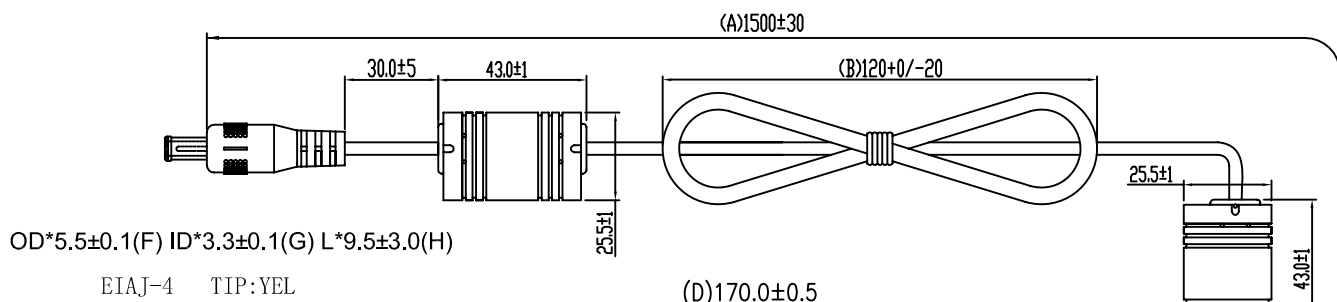
Z: Indicates Type of Output Plug (2.5 x 5.5mm DC Plug, Strip & Tin, etc.)

EXAMPLE: 24V, 6.25A Power Supply with USA Input Cord and a 2.1 x 5.5mm DC Plug = **SHO-150WD-240-0625-1-2.1 x 5.5mm DC Plug**

- **SPECIAL OPTIONS AND CUSTOM DESIGNS AVAILABLE (PLEASE CONTACT SHOGYO DIRECTLY AT INFO@SHOGYO.COM)**
- **CONTACT SHOGYO DIRECTLY FOR COMPLETE SPECIFICATIONS**



File Name



- NOTES :
- Case material(材質): PC .
Color(顏色): Black.
 - Outline dimension: L170.0*W85.0*H36.0mm.
 - Input AC pin type: IEC320-C14.
安規尺寸參考:15-COMMON-A001-02.
 - Output: DC CORD UL1185 #18AWG
 - Weight: about 750g.
 - Barcode label :

XXXXXXXXXXYYWNNNNNN
 Number,ex:000001~999999,
 每周需重歸000001起編
 Week,ex:01表示第1周生產...
 Year,ex:2010年=10,2011年=11,...
 產品MO,ex:1100023557,...

7. Tolerance as follows unless otherwise specified.

DIMENSION(MM)	0~6	6~30	30~100	120~250	250~400
TOLERANCE(MM)	±0.15	±0.2	±0.25	±0.5	±1.0

8. Dimensions (A)~(H) should be inspected by QC.

				UNIT	mm	
				SCALE		ISSUED DATE 04/JUL/14
				DRAWN BY	YIUCHUNG	CHECKED BY DOOM XIE
				DESIGNED BY	VICKY HUANG	APPROVED BY ZQ WANG

REV.	ZONE	DESCRIPTION	DATE	ECA NO.	ITEM NO. : NUA5-61540-140S 產品外觀圖	DRAWING NO. NUA5-61540-140S	SHEET 1 OF X
------	------	-------------	------	---------	--	--------------------------------	-----------------

A B C D E F