



PART NUMBERING KEY:

SHO-6W-XXX-YYY-Q-Z

SHO: SHOGYO

6W: 6 Watt Series

XXX: Indicates Output Voltage. Available from 3.0VDC – 24.0VDC (030 – 240)

YYY: Indicates Output Current. Available from 0.01A – 2.00A (001 – 200)

*Voltage multiplied by Current must equal a number no greater than the Wattage (6).

Q: Indicates Type of Input Prongs (1=United States, 2=European, 3=United Kingdom, 4=Australian)

Z: Indicates Type of Output Plug (2.5 x 5.5mm DC Plug, Strip & Tin, etc.)

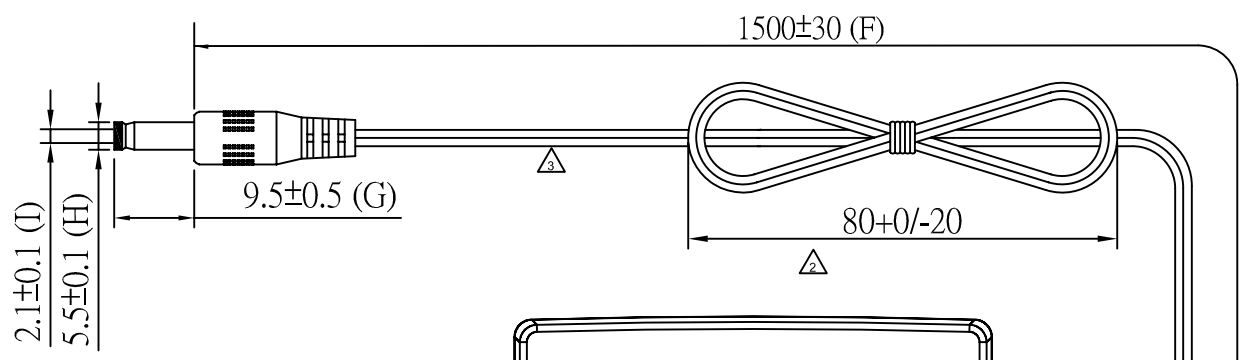
EXAMPLE: 9V, 500mA Power Supply with U.S. Input Prongs and a 2.1 x 5.5mm DC Plug = **SHO-6W-090-050-1-2.1 x 5.5mm DC Plug**

- **SPECIAL OPTIONS AND CUSTOM DESIGNS AVAILABLE (PLEASE CONTACT SHOGYO DIRECTLY AT INFO@SHOGYO.COM)**
- **CONTACT SHOGYO DIRECTLY FOR COMPLETE SPECIFICATIONS**

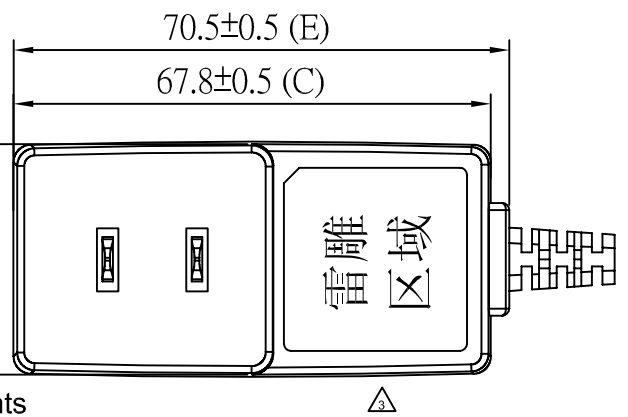
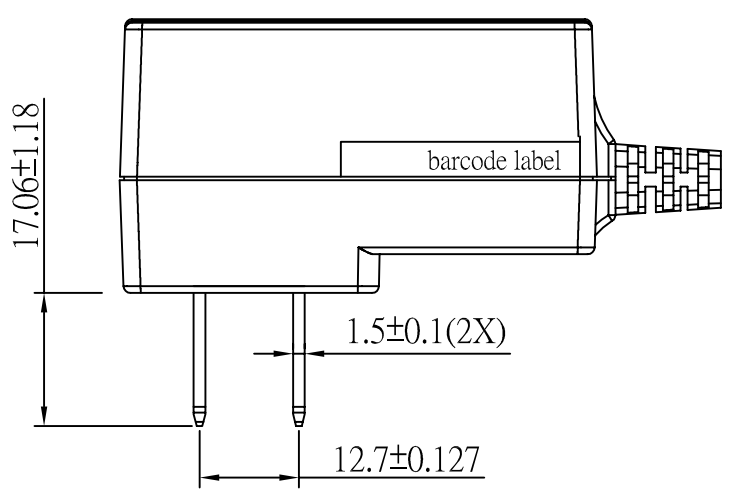
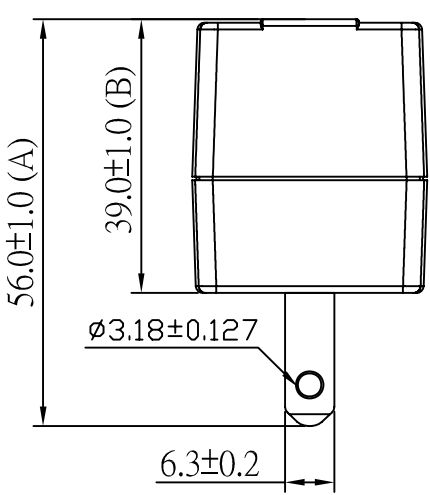
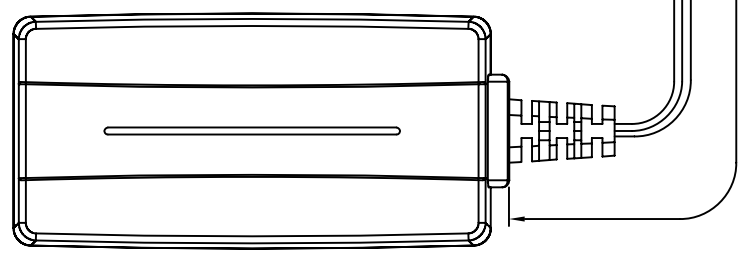
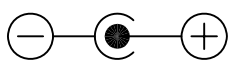


1
2
3
4
5
6
7

1
2
3
4
5
6
7



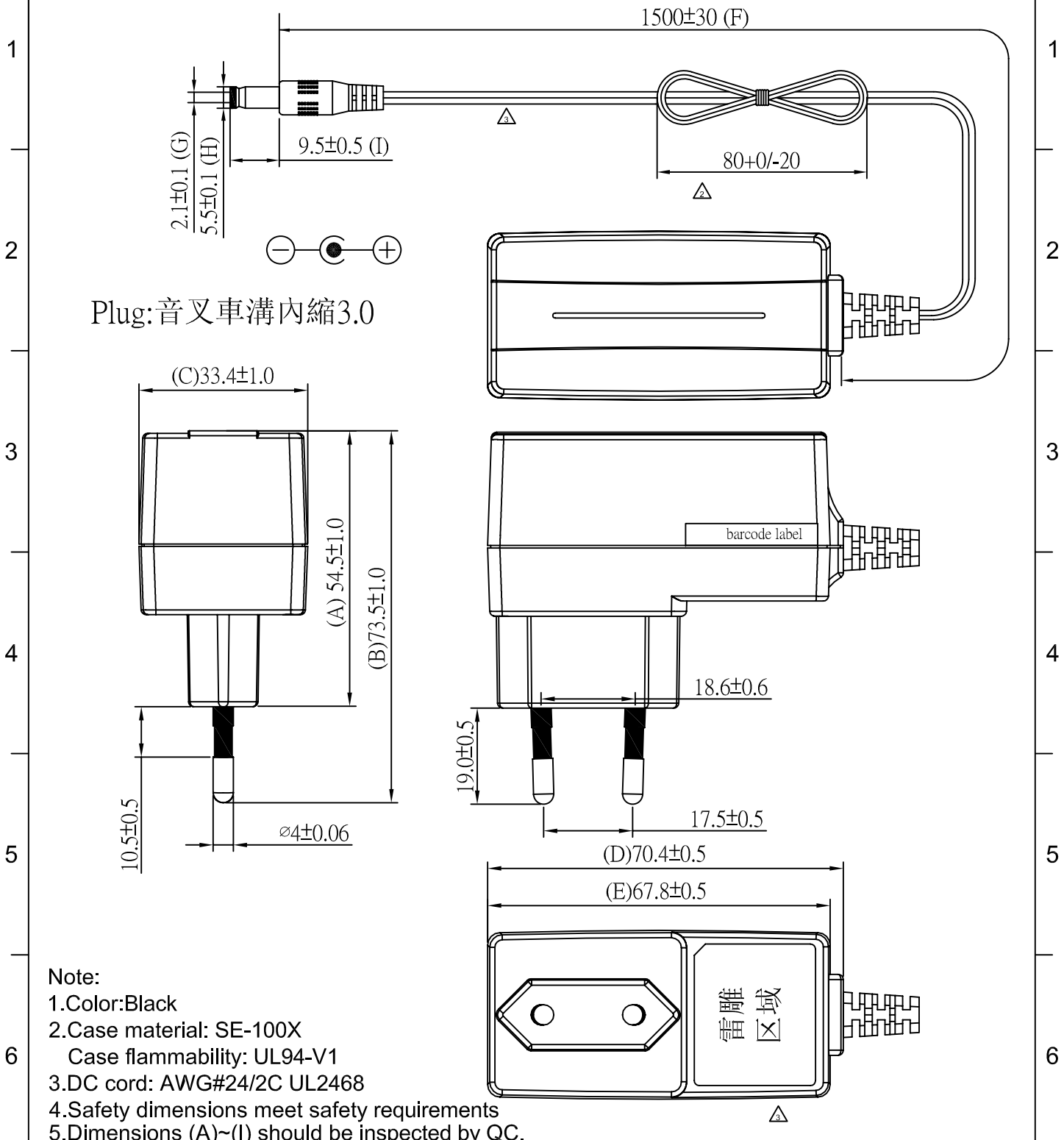
Plug: 音叉車溝內縮3.0



- Note:
- 1.Color:BLACK
 - 2.Case material: SE-100X
Case flammability: UL94-V1
 - 3.DC cord: AWG#24/2C UL2468
 - 4.Safety dimensions meet safety requirements
 - 5.Dimensions (A)~(I) should be inspected by QC.

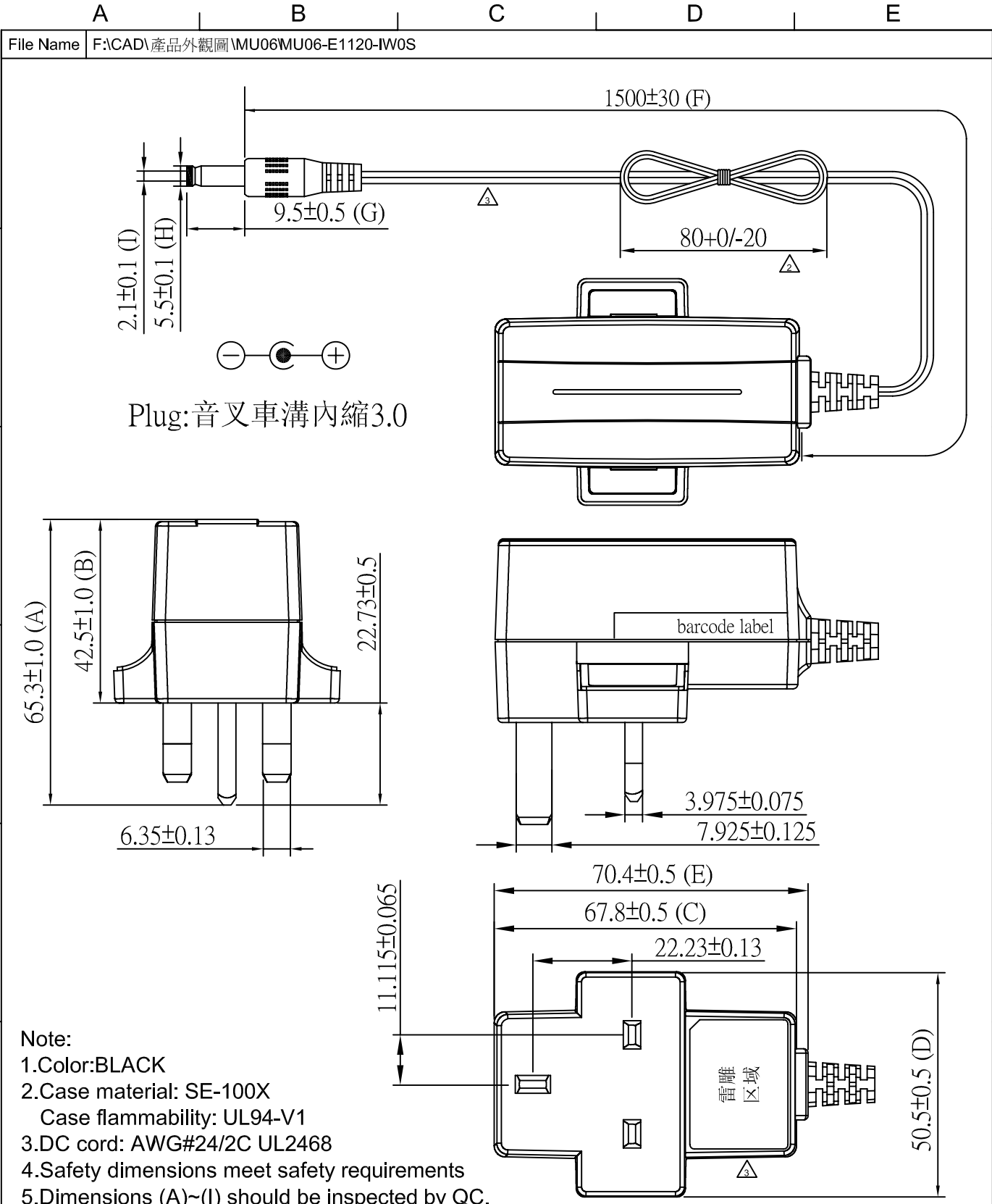
△1		電源線料號改為2601000590000 Label改為雷離	2014.12.16		UNIT	mm	
△2		修改繫線長度	2014.02.25	ECA-336512	SCALE		ISSUED DATE 27/DEC/13
△3		新出藍圖			DRAWN BY	YIUCHUNG	CHECKED BY DOOM.XIE
7	REV.	ZONE	DESCRIPTION	DATE	ECA NO.	DESIGNED BY WANG QB	APPROVED BY ZQ.WANG

ITEM NO. :			DRAWING NO.		SHEET
OUTLINE DRAWING			MU06-E1120-AW0S		1 OF 1



Note:
 1.Color:Black
 2.Case material: SE-100X
 Case flammability: UL94-V1
 3.DC cord: AWG#24/2C UL2468
 4.Safety dimensions meet safety requirements
 5.Dimensions (A)~(I) should be inspected by QC.

△		電源線料號改為2601000590000 LABEL改為雷電	2014.12.16		UNIT	mm	
△		修改繁線長度	2014.02.25	ECA-336512	SCALE		ISSUED DATE 27/DEC/13
△		新出藍圖			DRAWN BY	YIUCHUNG	CHECKED BY DOOM.XIE
7	REV.	ZONE	DESCRIPTION	DATE	ECA NO.	DESIGNED BY WANG QB	APPROVED BY ZQ.WANG
ITEM NO. :				DRAWING NO.		SHEET	
OUTLINE DRAWING				MU06-E1120-KW0S		1 OF 1	



- Note:
- 1.Color:BLACK
 - 2.Case material: SE-100X
Case flammability: UL94-V1
 - 3.DC cord: AWG#24/2C UL2468
 - 4.Safety dimensions meet safety requirements
 - 5.Dimensions (A)~(I) should be inspected by QC.

△		電源線料號改為2601000590000 LABEL改為雷離	2014.12.16		UNIT	mm	
△		修改紮線長度	2014.02.25	ECA-336512	SCALE		ISSUED DATE 27/DEC/13
△		新出藍圖			DRAWN BY	YIUCHUNG	CHECKED BY DOOM.XIE
7	REV.	ZONE	DESCRIPTION	DATE	ECA NO.	DESIGNED BY WANG QB	APPROVED BY ZQ.WANG

		ITEM NO. :	DRAWING NO.	SHEET
		OUTLINE DRAWING	MU06-E1120-IW0S	1 OF 1

A B C D E