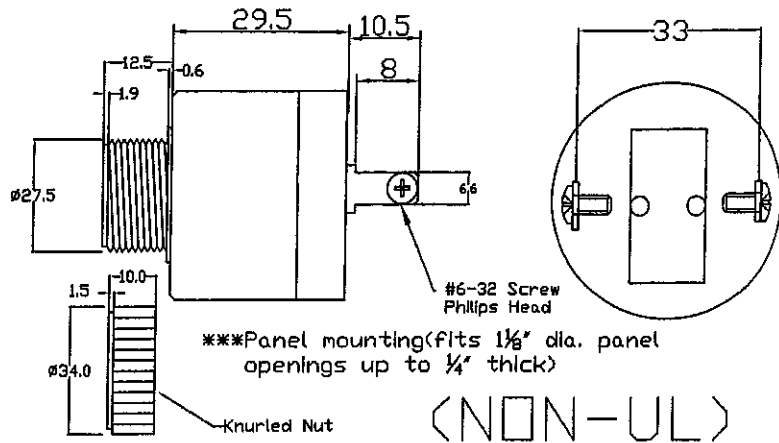
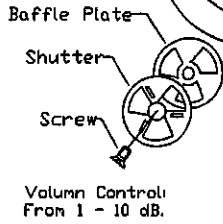


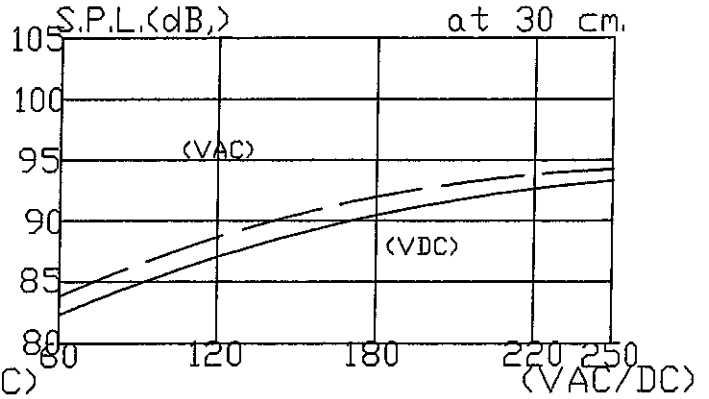
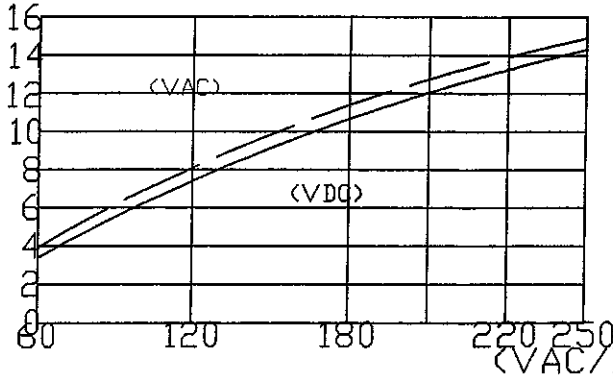
Unit:mm.
Tolerance:
±0.5mm.



***Panel mounting (fits 1/8" dia. panel openings up to 1/4" thick)

(NON-UL)

(mA.)



| | |
|----------------------------|-------------|
| Oscillating Frequency(Hz) | 2900±500Hz. |
| Operating Voltage(VDC/VAC) | 60 - 250 |
| Tone | Continuous |
| Operating Temperature(°) | -20~+60 |
| Storage Temperature(°) | -30~+70 |
| Weight (Gram) | 48 |

| | | |
|-----------------------|----------|--------------------|
| PIEZO AUDIO INDICATOR | | PART NO. |
| DRAWN | 2012/6/1 | SU2920SAN(RoHS) |
| UNIT: | mm. | |
| EDITION: | 1 | MATERIAL |
| SHEET | 1 OF 1 | ABS UL-94 1/16" HB |



SHOGYO INTERNATIONAL CORP.
6851 JERICHO TURNPIKE, SYOSSET, N.Y. 11791
TEL: (516) 921-9111 • FAX: (516) 921-3777
www.shogyo.com