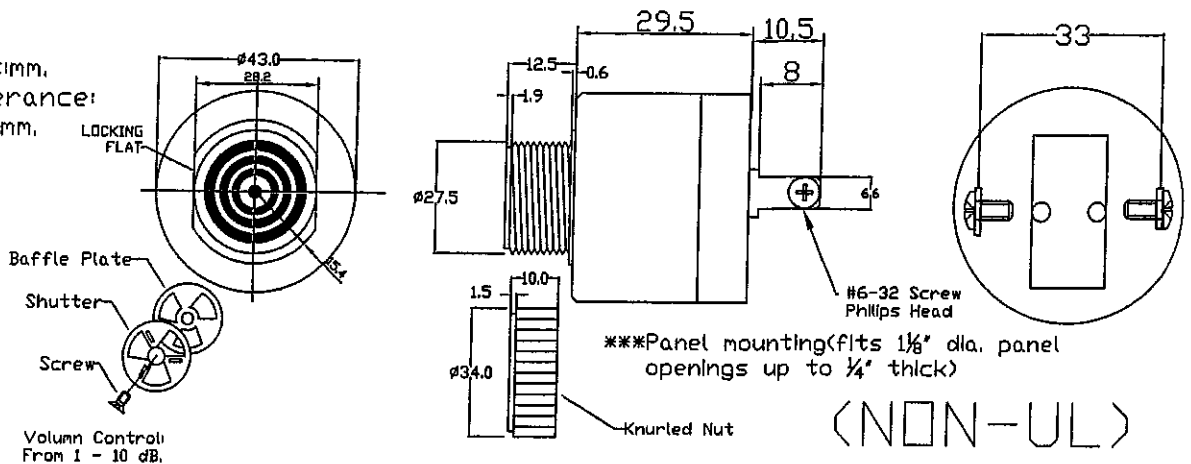
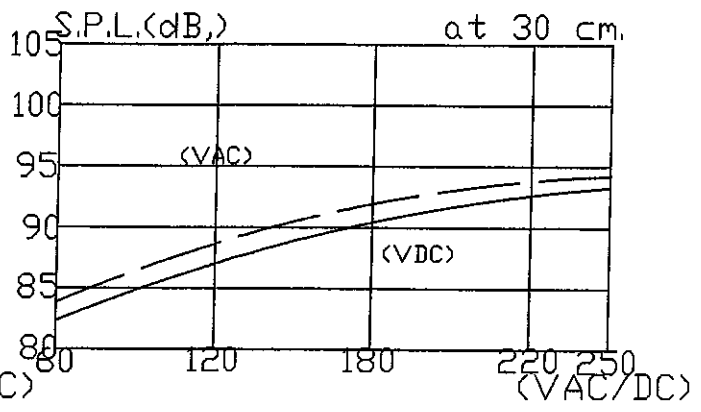
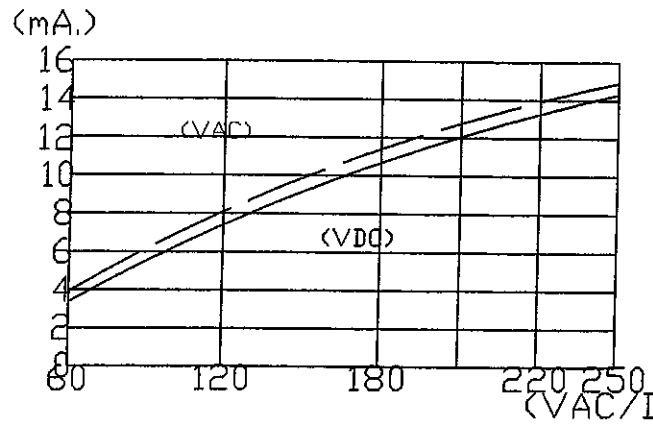


Unit:mm.
Tolerance:
±0.5mm.



Volume Control:
From 1 - 10 dB.



Oscillating Frequency(Hz)	2900±500Hz.
Operating Voltage(VDC/VAC)	60 - 250
Tone	Fast Pulse(3Hz.)
Operating Temperature(°)	-20~+60
Storage Temperature(°)	-30~+70
Weight (Gram)	48

PIEZO AUDIO INDICATOR		PART NO.
DRAWN 2012/6/1		SU2921SAN(RoHS)
UNIT: mm.		
EDITION: 1		MATERIAL
SHEET 1 OF 1		ABS UL-94 1/16" HB



SHOGYO INTERNATIONAL CORP.
6851 JERICHO TURNPIKE, SYOSSET, N.Y. 11791
TEL: (516) 921-9111 • FAX: (516) 921-3777
www.shogyo.com