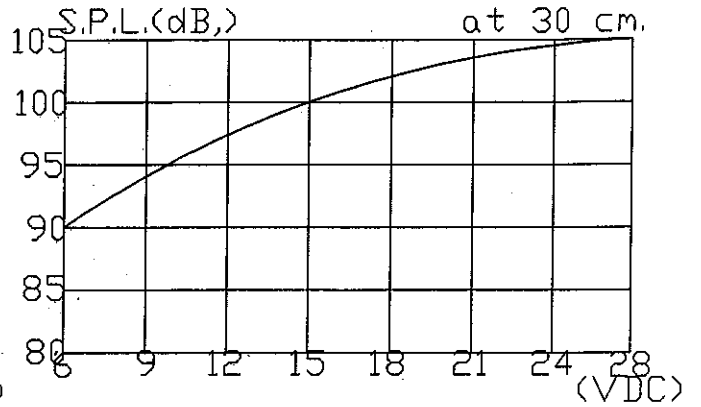
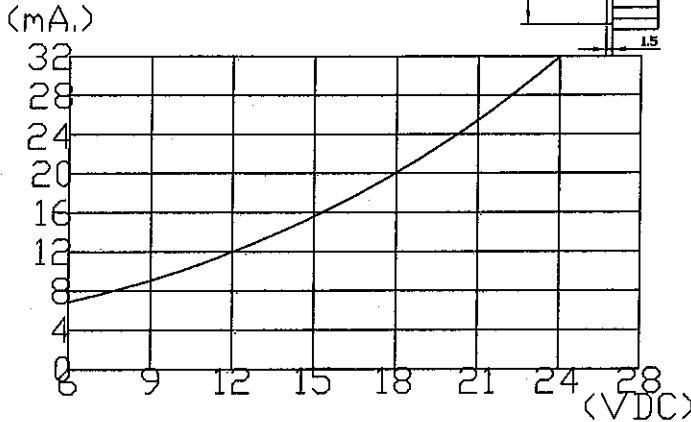
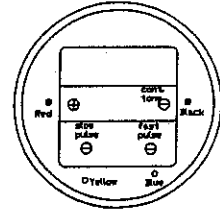
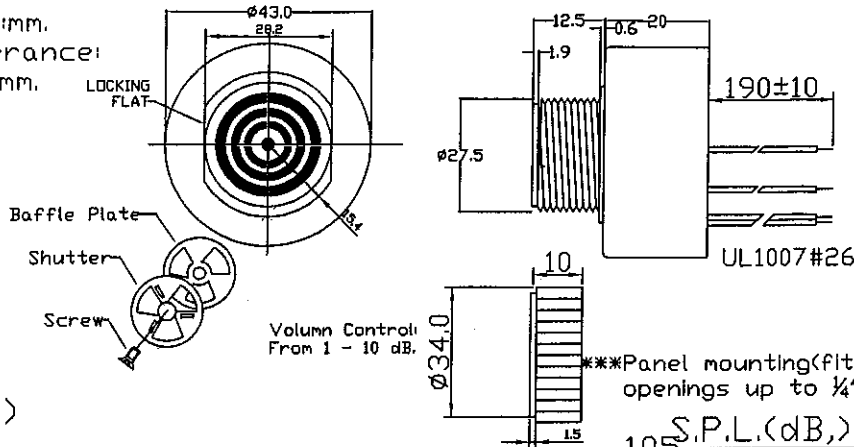


Unit:mm.
Tolerance:
±0.5mm.



Oscillating Frequency(Hz)	2900±500Hz.
Operating Voltage(VDC)	6~28
Current Consumption at 12VDC (mA.maximum)	12
Sound Pressure Level at 30cm/12VDC(dB.minimum)	95
Tone (FAST PULSE:3Hz, SLOW PULSE:1.2Hz,±20%)	CONT.+FAST PULSE +SLOW PULSE
Operating Temperature(°)	-20~+60
Storage Temperature(°)	-30~+70
Weight (Gram)	40

PIEZO AUDIO INDICATOR		PART NO.
DRAWN 2012/6/1		SU2959AL(RoHS)
UNIT: mm.		MATERIAL
EDITION: 1		ABS UL-94 1/16" HB
SHEET 1 OF 1		



SHOGYO INTERNATIONAL CORP.
6851 JERICHO TURNPIKE, SYOSSET, N.Y. 11791
TEL: (516) 921-9111 • FAX: (516) 921-3777
www.shogyo.com