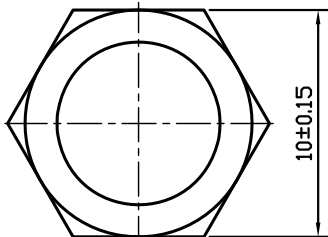
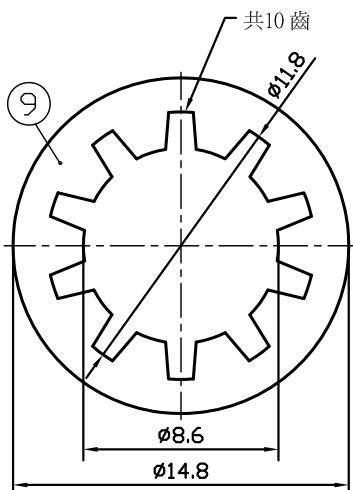
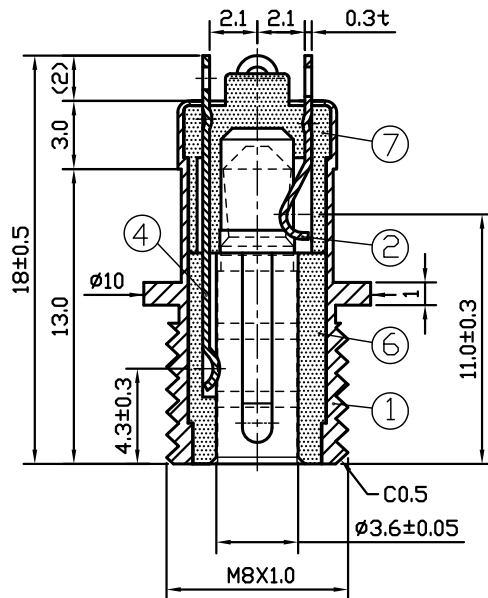
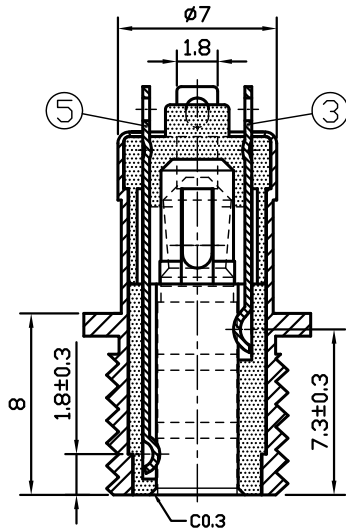
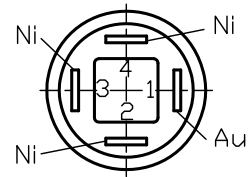


DIMENSIONS RANGE	TOLERANCE UNLESS SPECIFIED
0.5$X$$1$	± 0.1
1$X$$6$	± 0.15
6$X$$18$	± 0.2
18$X$$50$	± 0.3

4-Terminal D (170-249)
 3-Terminal C (170-248)
 2-Terminal B (170-247)
 1-Terminal A (170-317)



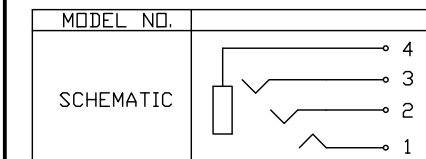
Follow RoHS Standard

1. Dielectric strength : AC 500V/1 minute.
2. Insulation resistance : 100M Ω or over.(DC 500V)
3. Contact resistance : 30m Ω or less.
4. Extraction force : 0.9~4.0Kg.

9	179-015	Washer	Fe	NI	
8	119-184	NUT	BRASS	NI	
7	196-001	DIELECTRIC A	PBT	BLACK	
6	196-002	DIELECTRIC B	PBT	BLACK	
5	170-249	Terminal D	Phosphor Bronze	Ni/Au	1
4	170-248	Terminal C	Phosphor Bronze	Ni/Au	1
3	170-247	Terminal B	Phosphor Bronze	Ni/Au	1
2	170-317	Terminal A	Phosphor Bronze	Au	1
1	119-183	SLEEVE	BRASS	Ni/Au	1
ITEM	DRAWING NUMBER	PART NAME	MATERIAL	PLATED	Q'TY

THIRD ANGLE PROJECTION P/N:

UNIT	mm	SCALE	: 3/1	ITEM	: 3.5 4 POLE JACK(M8,18L)
MATERIAL		DATE		DRAWING NAME	: PRODUCT DRAWING
DRAWING	CHIEN	2013.03.18		DRAWING NUMBER	: 635-340
DESIGN				REV	1



變更圖面	2013.03.18	CHIEN
DESCRIPTION	DATE	REVISED

DESIGN		
APPROVED		

DRAWING NUMBER	: 635-340
REV	1

SHOGYO