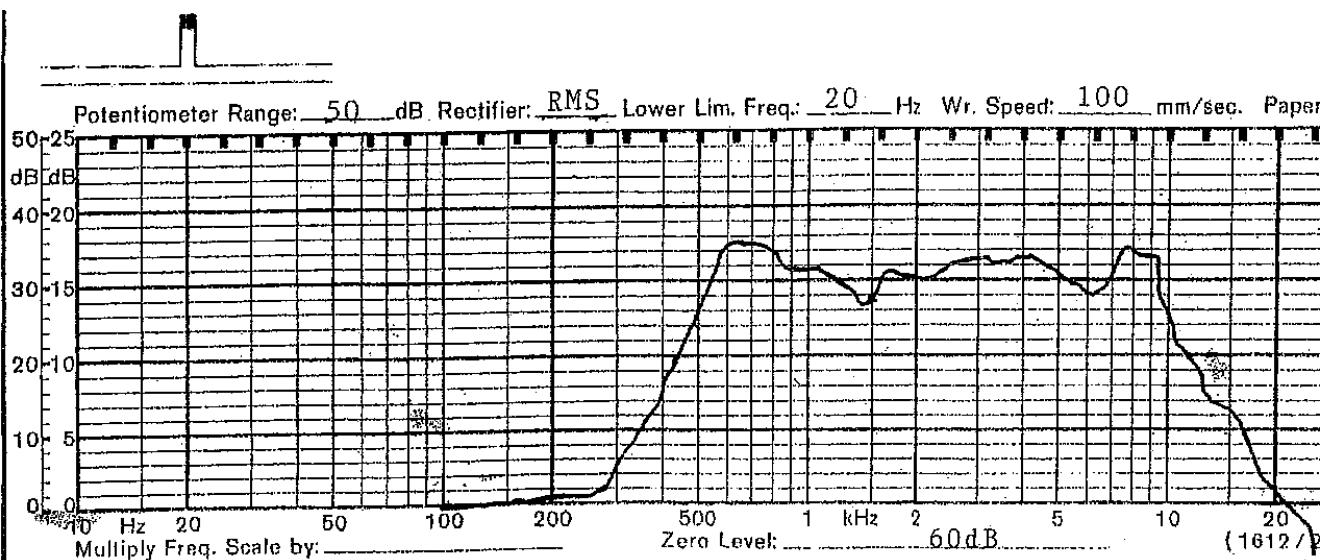


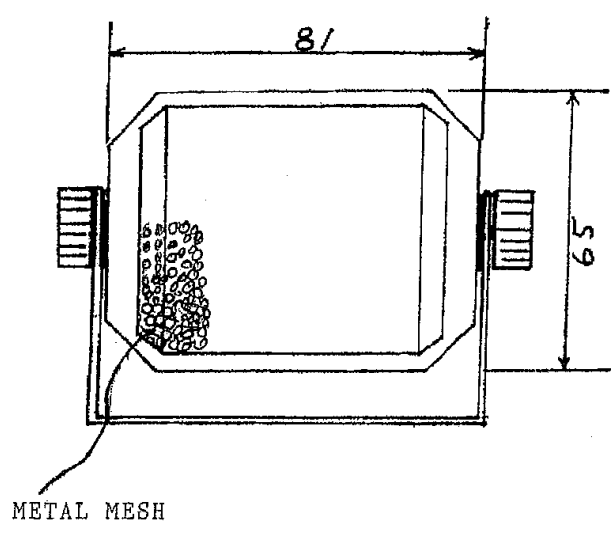
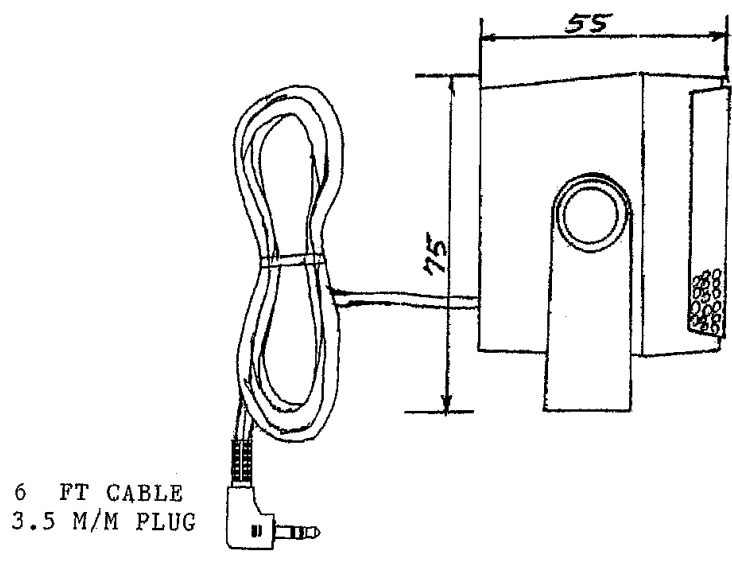
SHOGYO INTERNATIONAL CORP.

www.shogyo.com

SPEAKER SPECIFICATIONS

MODEL NO.	AIC-266X (RoHS)				
1	NOMINAL SIZE	57 mm	2-1/4	inch	
2	IMPEDANCE	8 Ω \pm 15%	at. 1K	Hz	1 V
3	RESONANCE FO	580 Hz \pm 110 Hz	FO	Hz	1 V
4	S.P.L. LEVEL	90 dB/w \pm 3 dB	1 W 50 cm average at		
5	FREQ. RESPONSE	Fo Hz ~ 6K Hz			
6	INPUT POWER	Nominal Input 3 W	Handling Capacity 5 W		
7	OPERATION	Must be normal at program source 3 W			
8	BUZZ, RATTLE, ETC.	Must be normal at Sine Wave 3.6 V			
9	MAGNET				
10	FLUX DENSITY	Gauss \pm 10%	total flux max well within		
11	DISTORTION				
12	LOAD TEST	After test meet Item 7 and 8	White noise 3 W 48 Hours		
13	OPERATION TEMP.				
14	HEAT TEST	After test meet Item 7 and 8	70 \pm 2° C 20-50 % R.H. 48 Hours		
15	HUMIDITY TEST	After test meet Item 7 and 8	40 \pm 2° C 90-95 % R.H. 48 Hours		





MODEL NO. AIC-266X		
APPROVED	CHECKED	DRAWING