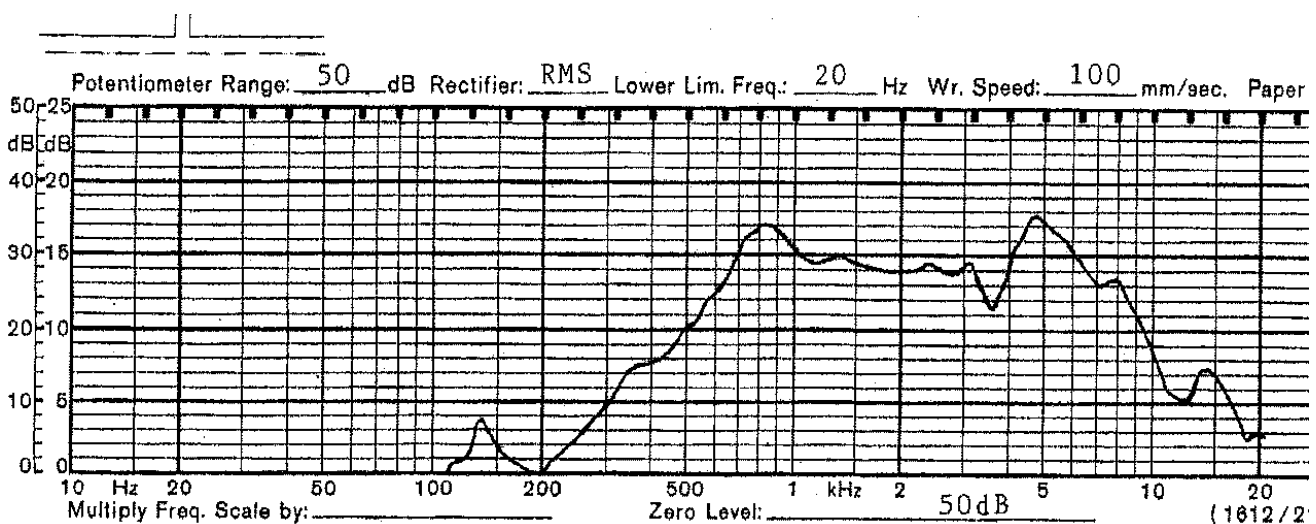


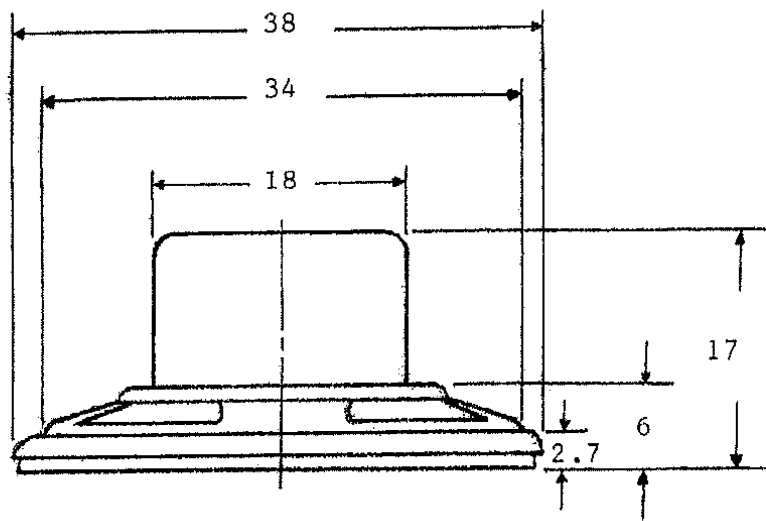
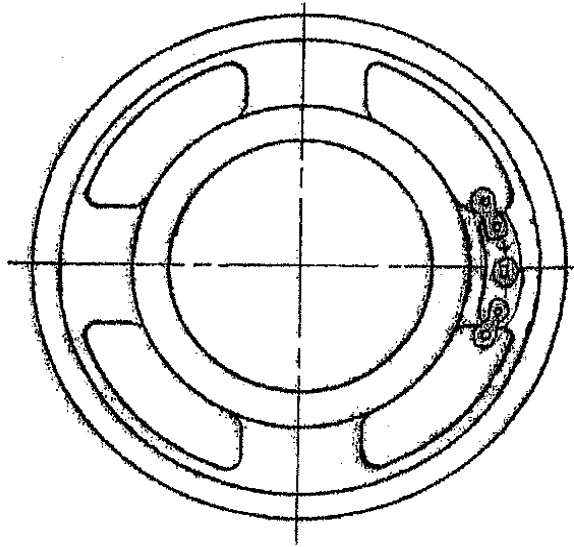
# SHOGYO INTERNATIONAL CORP.

www.shogyo.com

## SPEAKER SPECIFICATIONS

MODEL NO.	GA0381MX (RoHS)		
1	NOMINAL SIZE	38 mm	1-1/2 inch
2	IMPEDANCE	8 $\Omega$ $\pm$ 15%	at. 800 Hz 1 V
3	RESONANCE FO	800 Hz $\pm$ 160 Hz	FO Hz 1 V
4	S.P. LEVEL	79 dB/w $\pm$ 3 dB	0.2 W 50 cm average at 800, 1.2K, 1.5K, 1.7K Hz
5	FREQ. RESPONSE	Fo Hz ~ 9K Hz	
6	INPUT POWER	Nominal Input 0.2 W	Handling Capacity 0.4 W
7	OPERATION	Must be normal at program source 0.2 W	
8	BUZZ, RATTLE, ETC.	Must be normal at Sine Wave 1.26 V	
9	MAGNET	13 x 10 mm	
10	FLUX DENSITY	Gauss $\pm$ 10%	total flux max well within
11	TOTAL WEIGHT	gr	oz
12	LOAD TEST	After test meets Item 7 and 8	White noise 0.2 W 5 Hours
13	DISTORTION		
14	HEAT TEST	After test meets Item 7 and 8	65 $\pm$ 2° C 20-50 % R.H. 5 Hours
15	HUMIDITY TEST	After test meet Item 7 and 8	40 $\pm$ 2° C 90-95 % R.H. 5 Hours





**TOLERANCE:  $\pm 0.5$  MM**

**MODEL NO. GA0381MX**

APPROVED	CHECKED	DRAWING