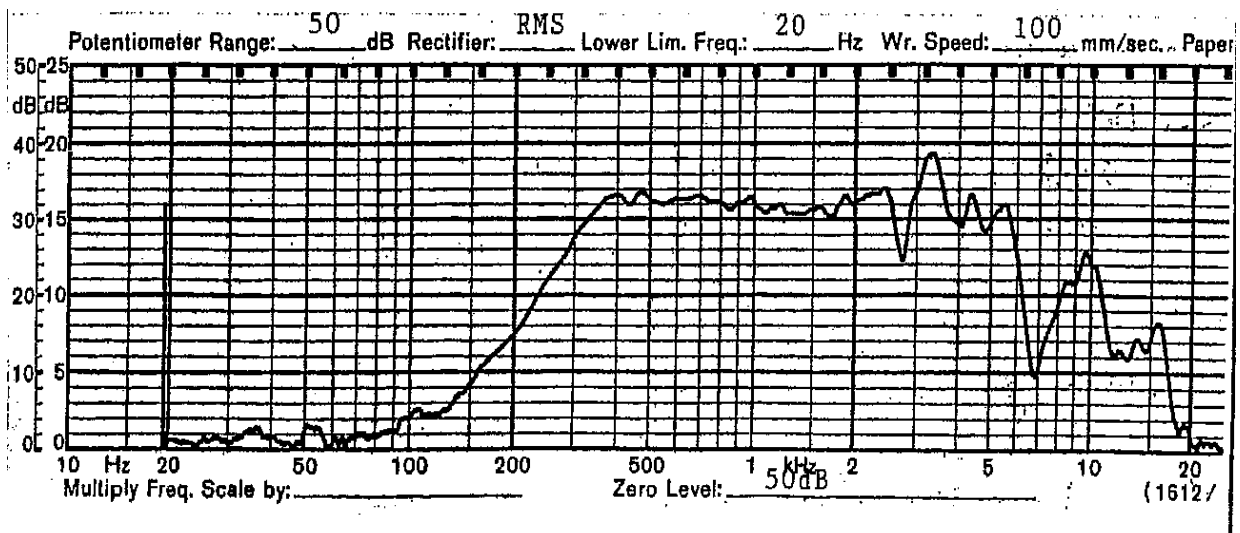


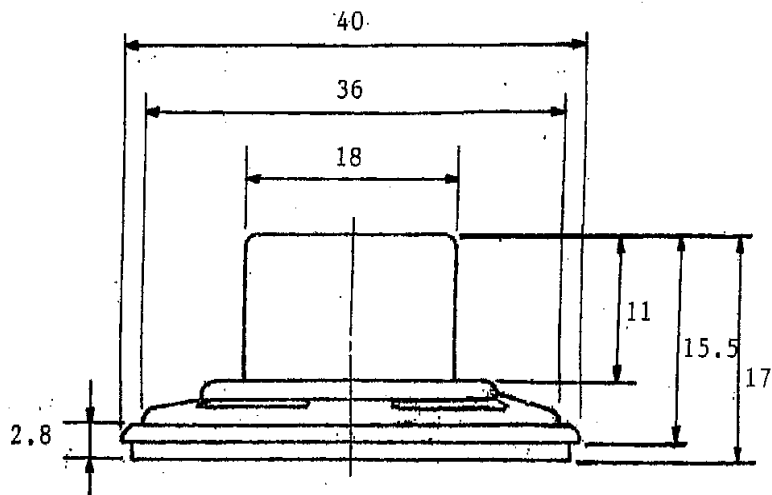
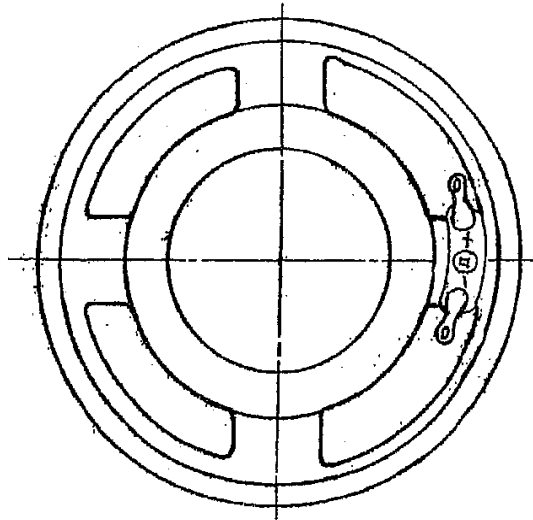
SHOGYO INTERNATIONAL CORP.

www.shogyo.com

SPEAKER SPECIFICATIONS

MODEL NO.	GA0401MX (RoHS)				
1	NOMINAL SIZE	40 mm	1-1/2 inch		
2	IMPEDANCE	8 Ω \pm 15%	at. 800 Hz	1 V	
3	RESONANCE FO	550 Hz \pm 110 Hz	FO Hz	1 V	
4	S.P. LEVEL	82 dB/w \pm 3 dB	0.2 W 50 cm average at 600, 800, 1K, 1.2K Hz		
5	FREQ. RESPONSE	Fo Hz ~ 6.1K Hz MAX 10 dB			
6	INPUT POWER	Nominal Input 0.2 W	Handling Capacity 0.5 W		
7	OPERATION	Must be normal at program source 0.2 W			
8	BUZZ, RATTLE, ETC.	Must be normal at Sine Wave 1.26 V			
9	MAGNET	13 x 10 mm			
10	FLUX DENSITY	Gauss \pm 10%	total flux max well within		
11	TOTAL WEIGHT	gr	oz		
12	LOAD TEST	After test meets Item 7 and 8	White noise 0.2 W 5 Hours		
13	DISTORTION				
14	HEAT TEST	After test meets Item 7 and 8	70 \pm 2° C 20-50 % R.H. 5 Hours		
15	HUMIDITY TEST	After test meet Item 7 and 8	40 \pm 2° C 90-95 % R.H. 5 Hours		





TOLERANCE: ± 0.5 MM

MODEL NO. GA0401MX

APPROVED	CHECKED	DRAWING