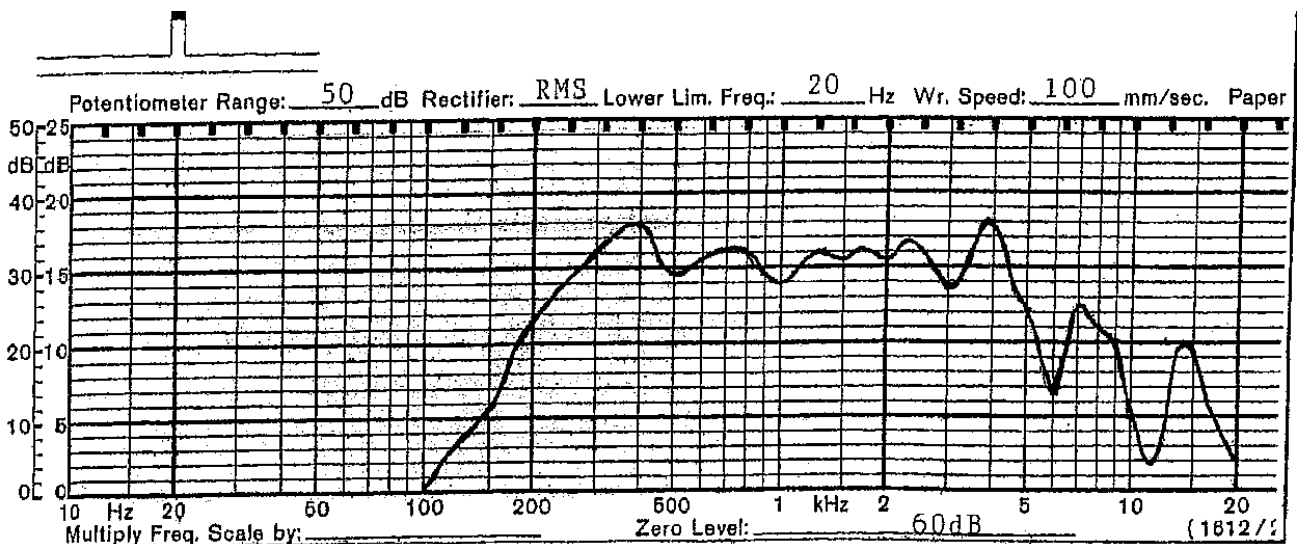


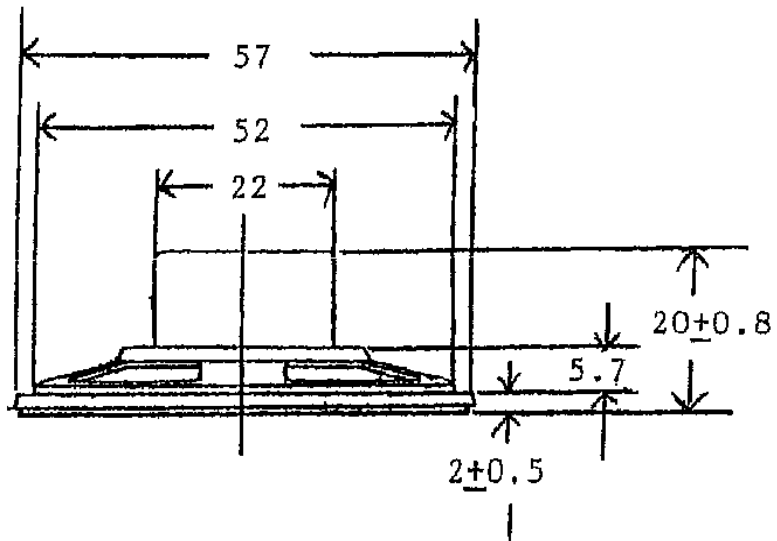
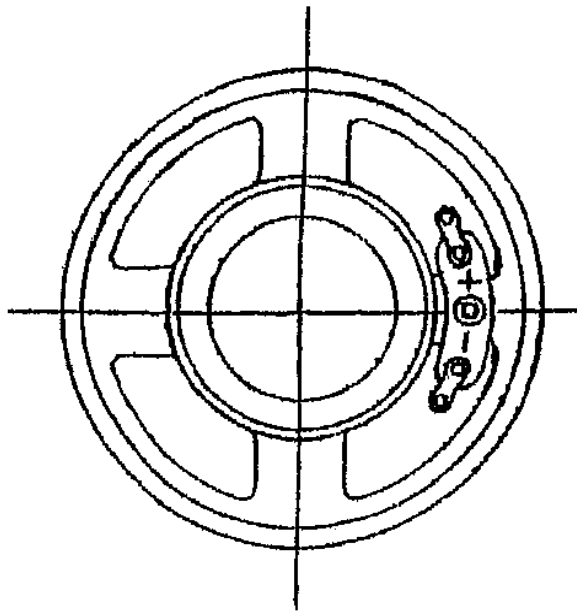
# SHOGYO INTERNATIONAL CORP.

www.shogyo.com

## SPEAKER SPECIFICATIONS

MODEL NO.	<b>GA0571HX (RoHS)</b>				
1	NOMINAL SIZE	57 mm	2-1/4 inch		
2	IMPEDANCE	8 $\Omega$ $\pm$ 15%	at. 800 Hz	1 V	
3	RESONANCE FO	380 Hz $\pm$ 76 Hz	FO Hz	1 V	
4	S.P.L. LEVEL	90 dB/w $\pm$ 3 dB	1 W 50 cm average at 1K, 1.4K, 1.7K, 2K Hz		
5	FREQ. RESPONSE	Fo Hz ~ 5.5K Hz			
6	INPUT POWER	Rated power 1 W	Handling Capacity 2 W		
7	OPERATION	Must be normal at program source 1 W			
8	BUZZ, RATTLE, ETC.	Must be normal at Sine Wave 2.83 V			
9	MAGNET	13 x 10 mm			
10	FLUX DENSITY	Gauss $\pm$ 10%	total flux max well within		
11	DISTORTION				
12	LOAD TEST	After test meet Item 7 and 8	White noise 1 W 24 Hours		
13	OPERATION TEMP.				
14	HEAT TEST	After test meet Item 7 and 8	65 $\pm$ 2° C 20-50 % R.H. 24 Hours		
15	HUMIDITY TEST	After test meet Item 7 and 8	40 $\pm$ 2° C 90-95 % R.H. 24 Hours		





<b>MODEL NO. GA0571HX</b>		
APPROVED	CHECKED	DRAWING