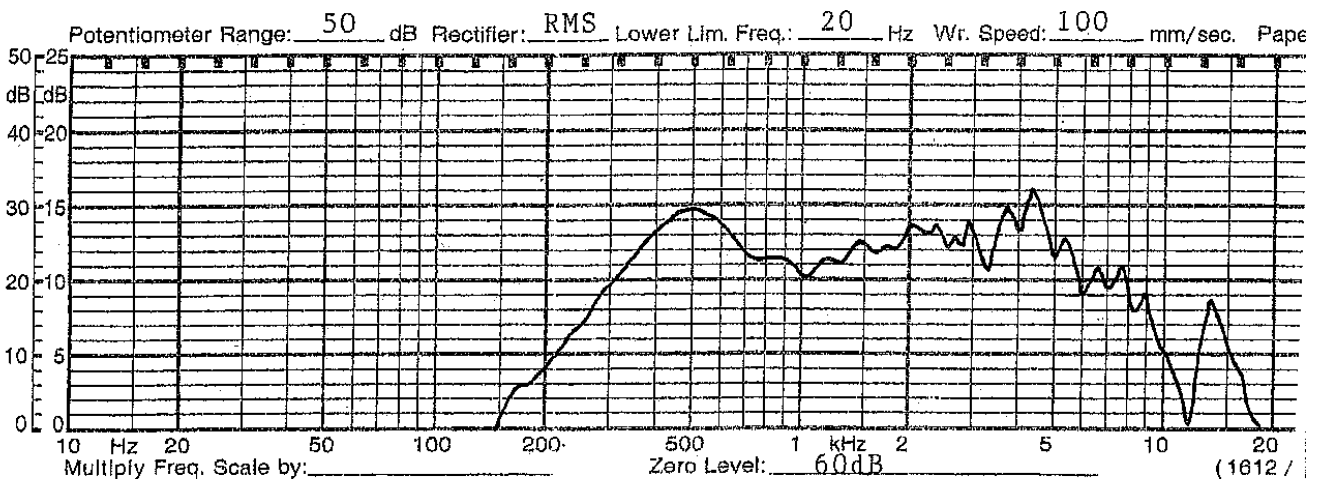


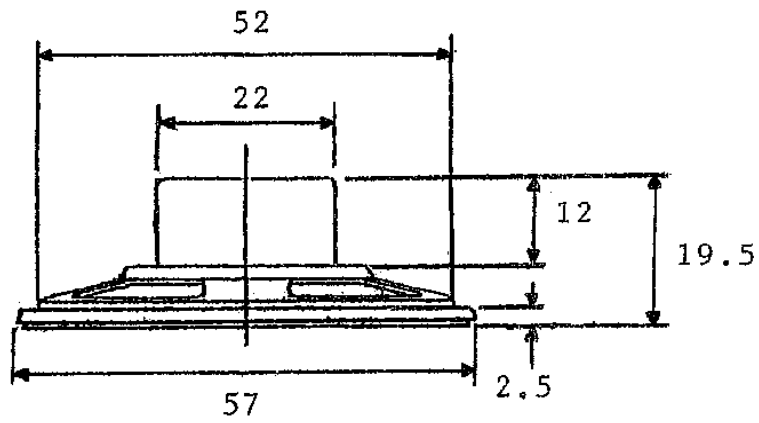
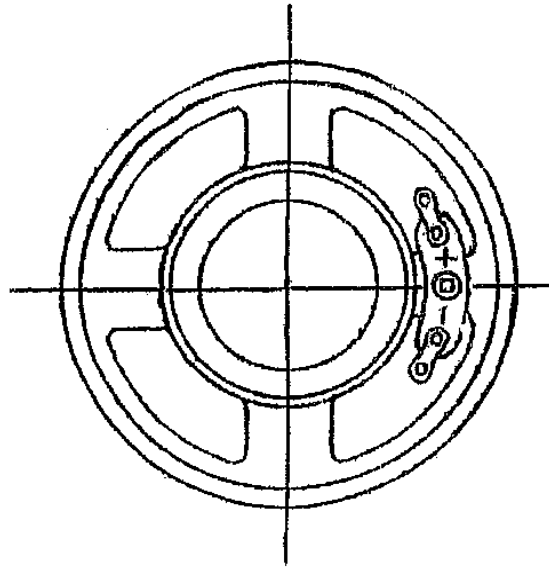
# SHOGYO INTERNATIONAL CORP.

www.shogyo.com

## SPEAKER SPECIFICATIONS

MODEL NO.	GA0571MX (RoHS)		承 認	審 核	製 作
1	NOMINAL SIZE	57 mm	2-1/4 INCH		
2	IMPEDANCE	8 Ω ± 15%	at. 800 Hz. 1 V.		
3	RESONANCE FO	450 Hz ± 90 Hz	FO Hz. 1 V.		
4	OUTPUT S.P.L.	83 dB ± 3 dB	0.3 W 50 cm average at 500, 700, 900, 1K Hz		
5	FREQ. RESPONSE	Fo Hz ~ 9K Hz      Max 10 dB			
6	INPUT POWER	Rated power 0.25 W	Max power 0.5 W		
7	OPERATION	Must be normal at program source 0.25 W			
8	BUZZ, RATTLE, ETC.	Must be normal at Sine Wave 1.41 V			
9	MAGNET	13 x 10 mm			
10	FLUX DENSITY	Gauss ± 10% total flux max well within			
11	DISTORTION				
12	LOAD TEST	After test meet Item 7 and 8	White noise 0.25 W 24 Hours		
13	OPERATION TEMP.				
14	HEAT TEST	After test meet Item 7 and 8	60± 2° C 20-50 % R.H. 24 Hours		
15	HUMIDITY TEST	After test meet Item 7 and 8	40± 2° C 90-95 % R.H. 24 Hours		





TOLERANCE +/- 0.5MM

MODEL NO.

**GA0571MX**

APPROVED

CHECKED

DRAWING