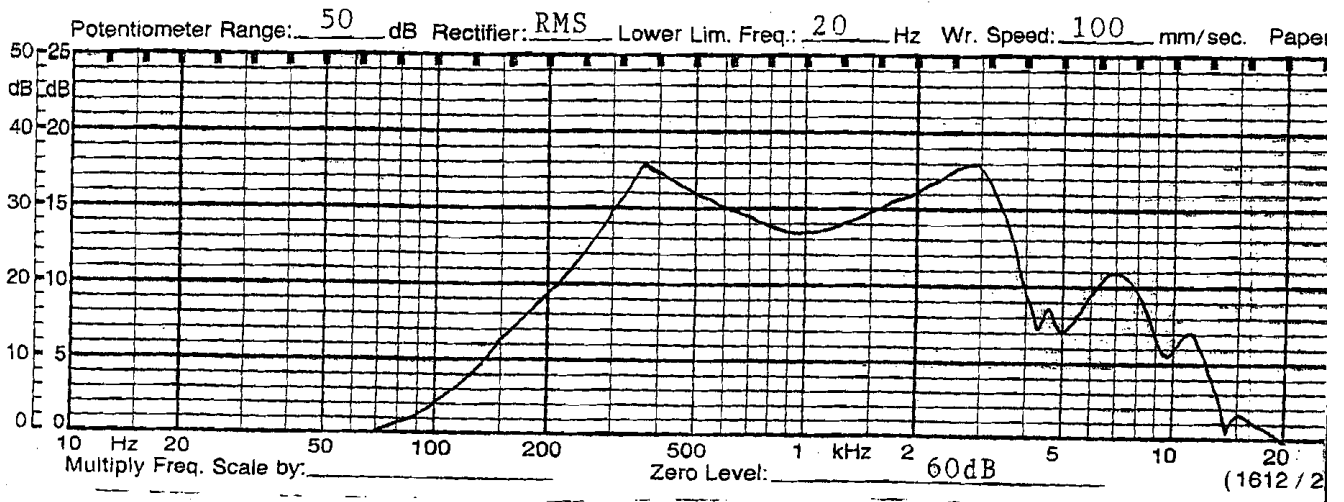


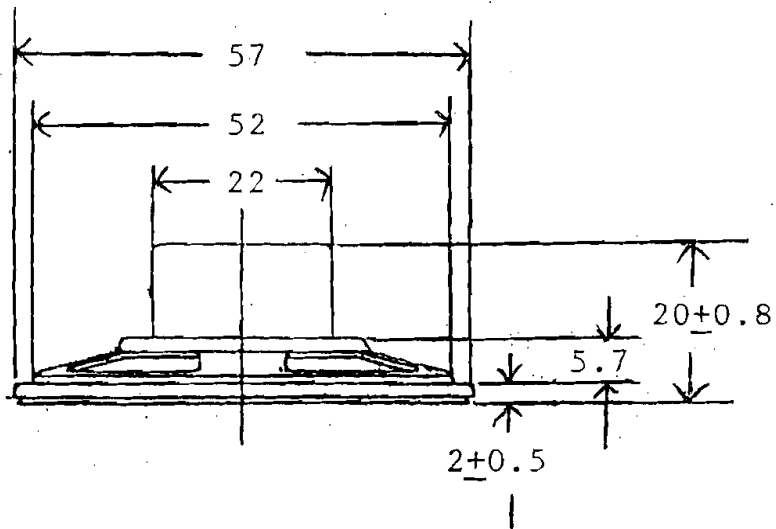
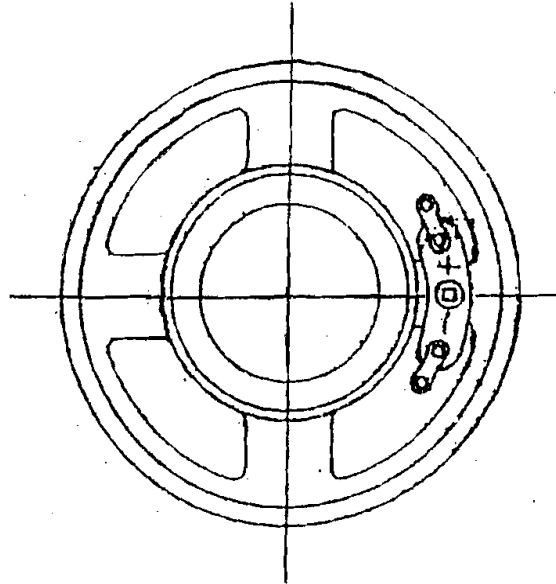
SHOGYO INTERNATIONAL CORP.

www.shogyo.com

SPEAKER SPECIFICATIONS

MODEL NO.	GA0571X (RoHS)				作
1	NOMINAL SIZE	57 mm	2-1/4 inch		
2	IMPEDANCE	8 $\Omega \pm 15\%$	at. 800 Hz 1 V		
3	RESONANCE FO	400 Hz \pm 80 Hz	FO Hz 1 V		
4	OUTPUT S.P.L.	88 dB/w \pm 3 dB	1 W 50 cm average at 800, 1K, 1.2K, 1.5K Hz		
5	FREQ. RESPONSE	Fo Hz ~ 4K Hz Max 10 dB			
6	INPUT POWER	Rated power 0.25 W	Max power 0.5 W		
7	OPERATION	Must be normal at program source 0.25 W			
8	BUZZ. RATTLE, ETC.	Must be normal at Sine Wave 1.41 V			
9	MAGNET	13 x 10 mm			
10	FLUX DENSITY	Gauss \pm 10% total flux max well within			
11	DISTORTION				
12	LOAD TEST	After test meet Item 7 and 8	White noise 0.25 W 5 Hours		
13	OPERATION TEMP.				
14	HEAT TEST	After test meet Item 7 and 8	70 \pm 2 $^{\circ}$ C 20-50 % R.H. 5 Hours		
15	HUMIDITY TEST	After test meet Item 7 and 8	40 \pm 2 $^{\circ}$ C 90-95 % R.H. 5 Hours		





MODEL NO. GA0571X		
APPROVED	CHECKED	DRAWING