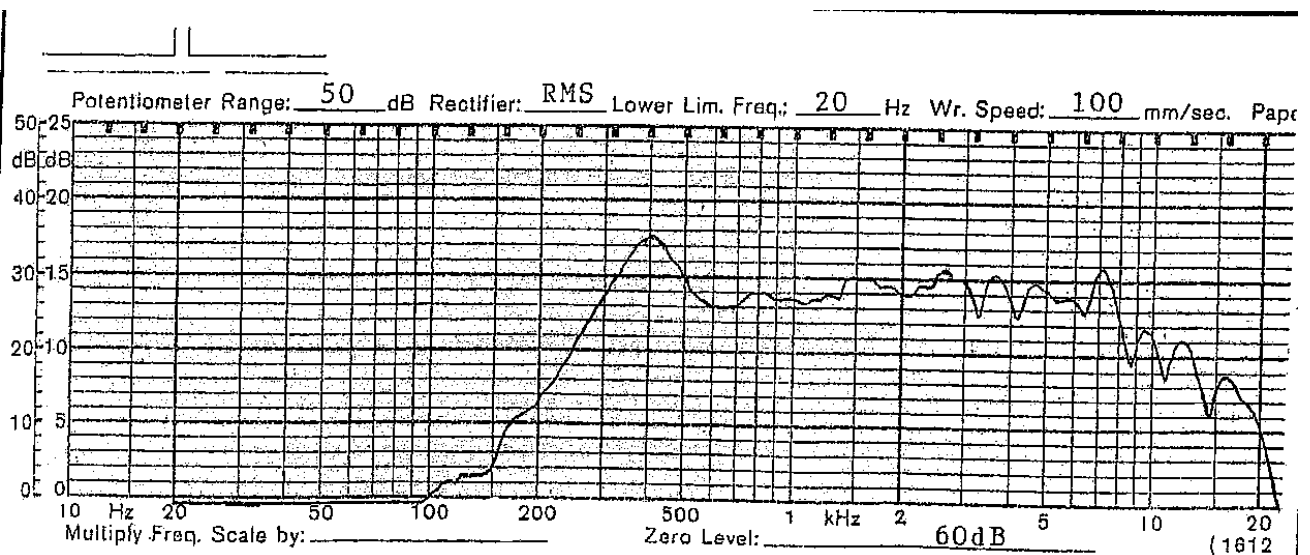


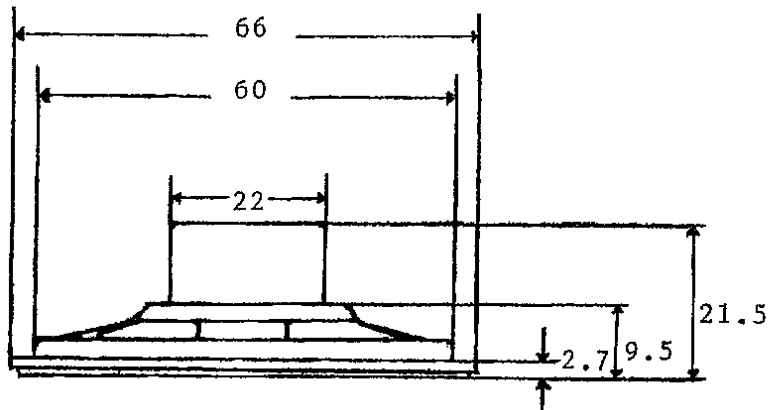
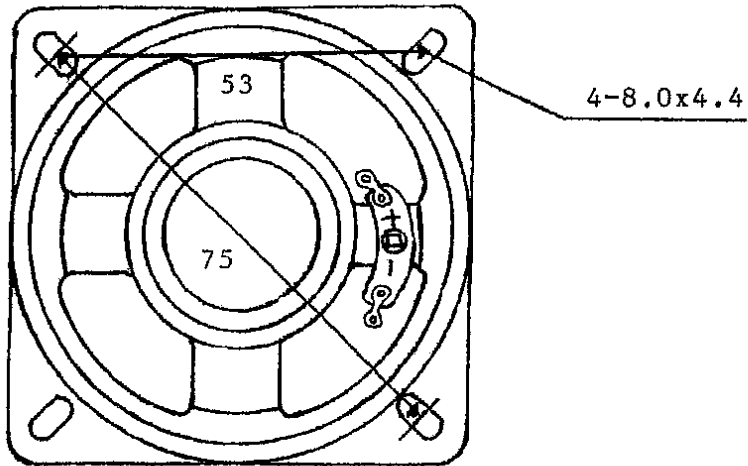
# SHOGYO INTERNATIONAL CORP.

www.shogyo.com

## SPEAKER SPECIFICATIONS

MODEL NO.	<b>GA0666MX (RoHS)</b>					
1	NOMINAL SIZE	<b>66 mm</b>	<b>2-1/2 inch</b>			
2	IMPEDANCE	<b>8 Ω ± 15%</b>	<b>at. 800 Hz</b>	<b>1 V</b>		
3	RESONANCE FO	<b>400 Hz ± 70 Hz</b>	<b>FO Hz</b>	<b>1 V</b>		
4	S.P.L. LEVEL	<b>87 dB/w ± 3 dB</b>	<b>0.5 W 50 cm average at</b>			
5	FREQ. RESPONSE	<b>Fo Hz ~ 11K Hz</b>				
6	INPUT POWER	Nominal Input <b>0.5 W</b>	Handling Capacity <b>1 W</b>			
7	OPERATION	Must be normal at program source <b>0.5 W</b>				
8	BUZZ, RATTLE, ETC.	Must be normal at Sine Wave <b>2 V</b>				
9	MAGNET	<b>13 x 10 mm</b>				
10	FLUX DENSITY	<b>Gauss ± 10%</b>	<b>total flux max well within</b>			
11	DISTORTION					
12	LOAD TEST	After test meet Item 7 and 8	White noise <b>0.5 W 24 Hours</b>			
13	OPERATION TEMP.					
14	HEAT TEST	After test meet Item 7 and 8	<b>60 ± 2° C 20-50 % R.H. 24 Hours</b>			
15	HUMIDITY TEST	After test meet Item 7 and 8	<b>40 ± 2° C 90-95 % R.H. 24 Hours</b>			





**TOLERANCE:  $\pm 0.8$  MM**

<b>MODEL NO.</b>		
<b>GA0666MX</b>		
APPROVED	CHECKED	DRAWING