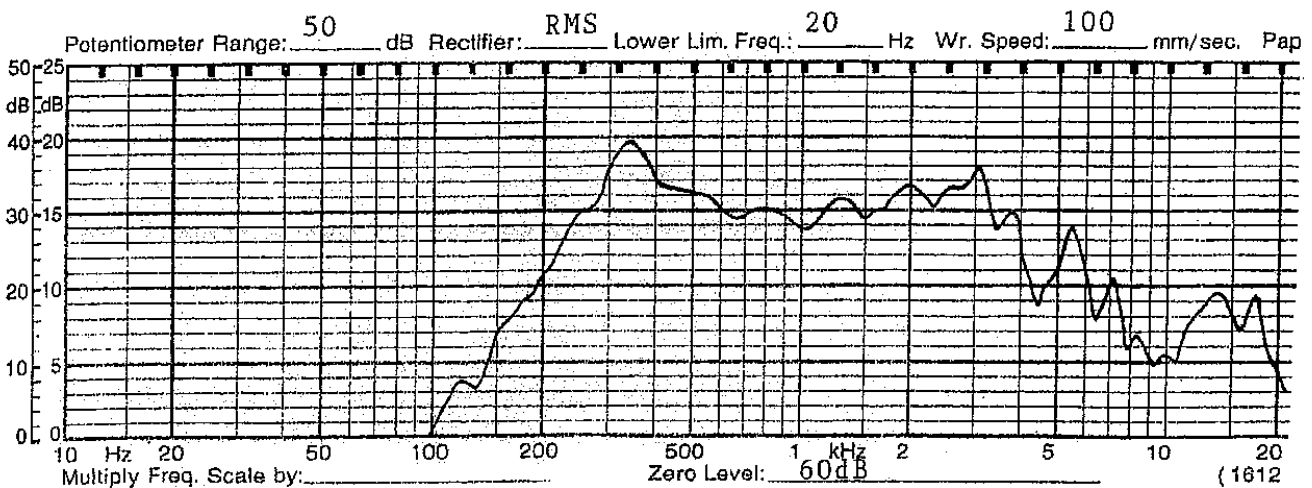


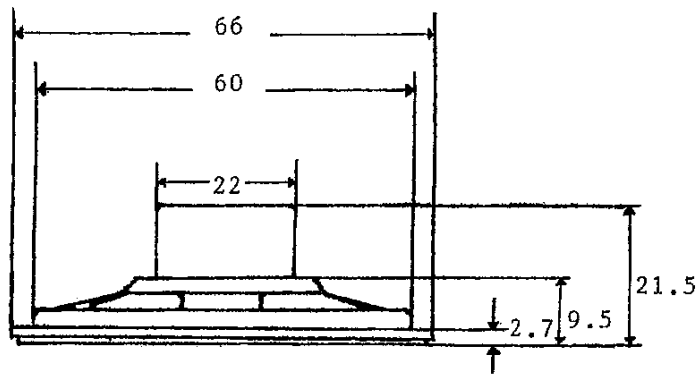
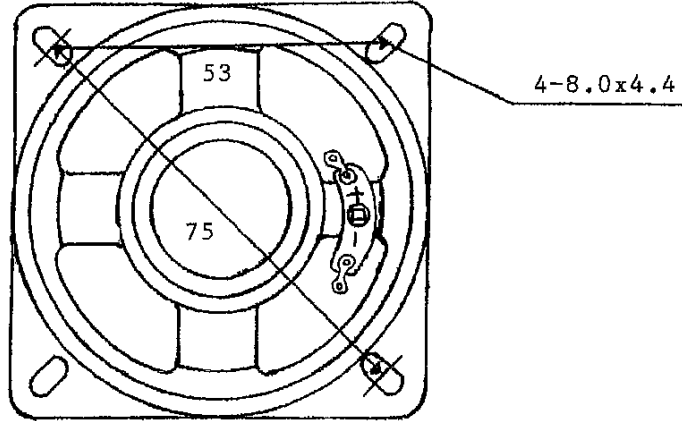
SHOGYO INTERNATIONAL CORP.

www.shogyo.com

SPEAKER SPECIFICATIONS

MODEL NO.	GA0666X (RoHS)				
1	NOMINAL SIZE	66 mm	2-1/2 inch		
2	IMPEDANCE	8 Ω ± 15%	at. 800 Hz	1 V	
3	RESONANCE FO	340 Hz ± 68 Hz	FO Hz	1 V	
4	S.P.L. LEVEL	90 dB/w ± 3 dB	0.5 W 50 cm average at		
5	FREQ. RESPONSE	Fo Hz ~ 4K Hz			
6	INPUT POWER	Nominal Input 0.5 W	Handling Capacity 1 W		
7	OPERATION	Must be normal at program source 0.5 W			
8	BUZZ, RATTLE, ETC.	Must be normal at Sine Wave 2 V			
9	MAGNET	13 x 10 mm			
10	FLUX DENSITY	Gauss ± 10%	total flux max well within		
11	DISTORTION				
12	LOAD TEST	After test meet Item 7 and 8	White noise 0.5 W 24 Hours		
13	OPERATION TEMP.				
14	HEAT TEST	After test meet Item 7 and 8	60 ± 2° C 20-50 % R.H. 24 Hours		
15	HUMIDITY TEST	After test meet Item 7 and 8	40 ± 2° C 90-95 % R.H. 24 Hours		





TOLERANCE: ± 0.8 MM

MODEL NO. GA0666X		
APPROVED	CHECKED	DRAWING