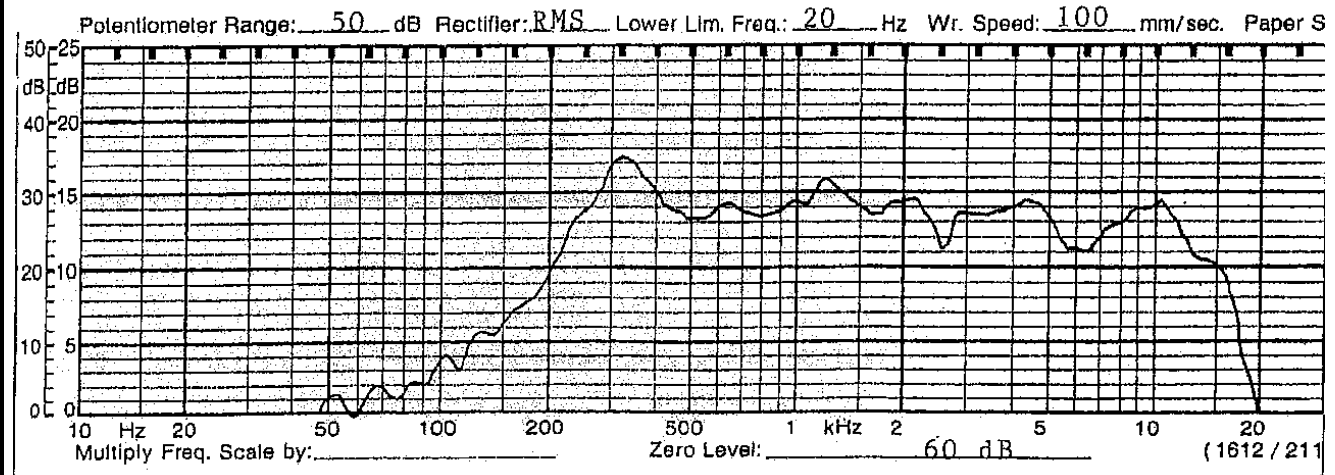


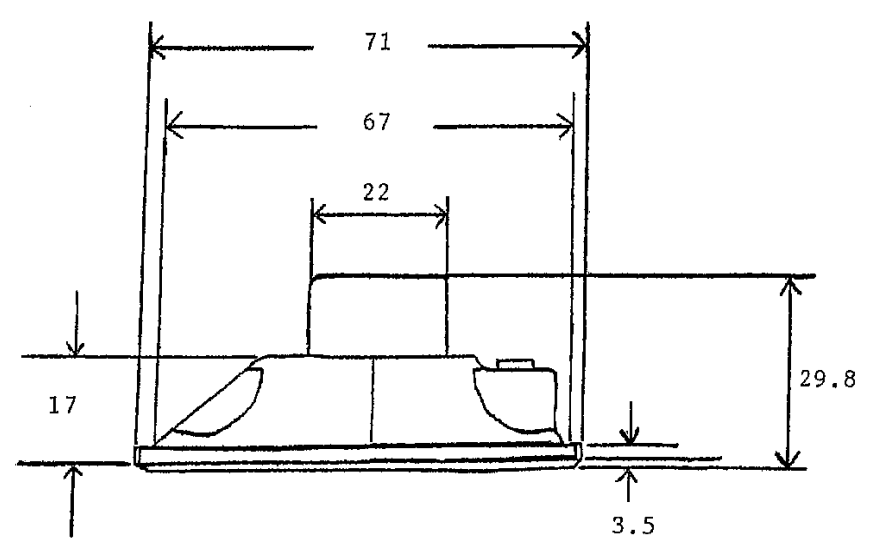
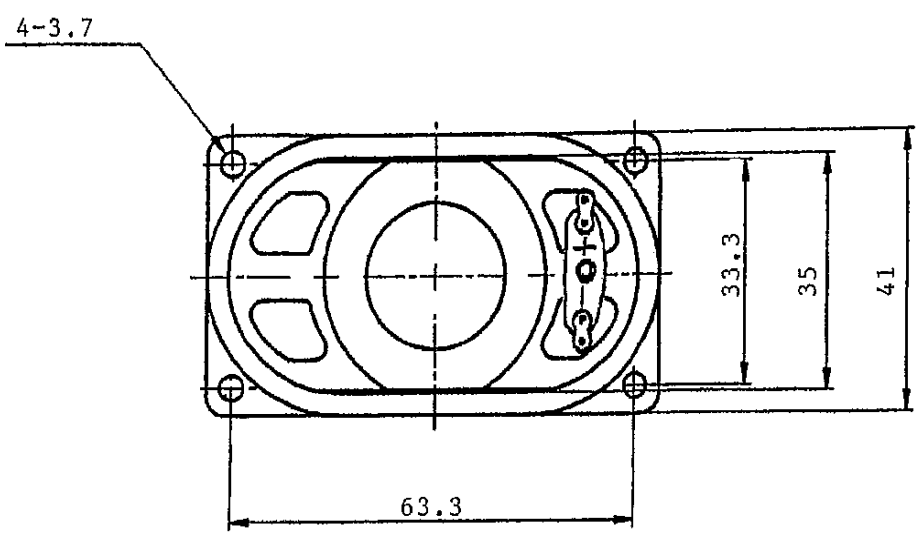
SHOGYO INTERNATIONAL CORP.

www.shogyo.com

SPEAKER SPECIFICATIONS

MODEL NO.	GA0719X (RoHS)				
1	NOMINAL SIZE	41 x 71 MM	inch		
2	IMPEDANCE	8 Ω ± 15%	at. 800 Hz	1 V	
3	RESONANCE FO	280 Hz ± 56 Hz	FO Hz	1 V	
4	S.P. LEVEL	87 dB/w ± 3 dB	1 W 50 cm average at 600, 800, 900, 1K Hz		
5	FREQ. RESPONSE	Fo Hz ~ 17K Hz			
6	INPUT POWER	Nominal Input 1 W	Handling Capacity 3 W		
7	OPERATION	Must be normal at program source 1 W			
8	BUZZ, RATTLE, ETC.	Must be normal at Sine Wave 2.83 V			
9	MAGNET	13 x 10 mm			
10	FLUX DENSITY	Gauss ± 10%	total flux max well within		
11	TOTAL WEIGHT	gr	oz		
12	LOAD TEST	After test meets Item 7 and 8	White noise 1 W 24 Hours		
13	DISTORTION				
14	HEAT TEST	After test meets Item 7 and 8	70 ± 2° C 20-50 % R.H. 24 Hours		
15	HUMIDITY TEST	After test meet Item 7 and 8	40 ± 2° C 90-95 % R.H. 24 Hours		





TOLERANCE: ± 0.8 MM

MODEL NO. GA0719X		
APPROVED	CHECKED	DRAWING