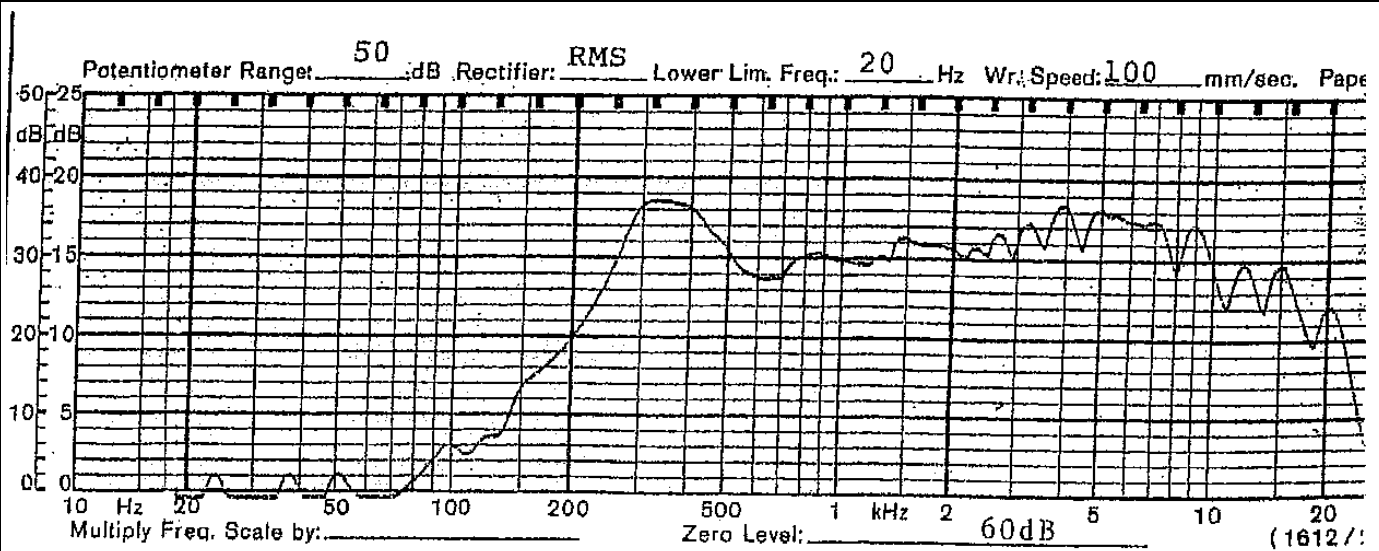


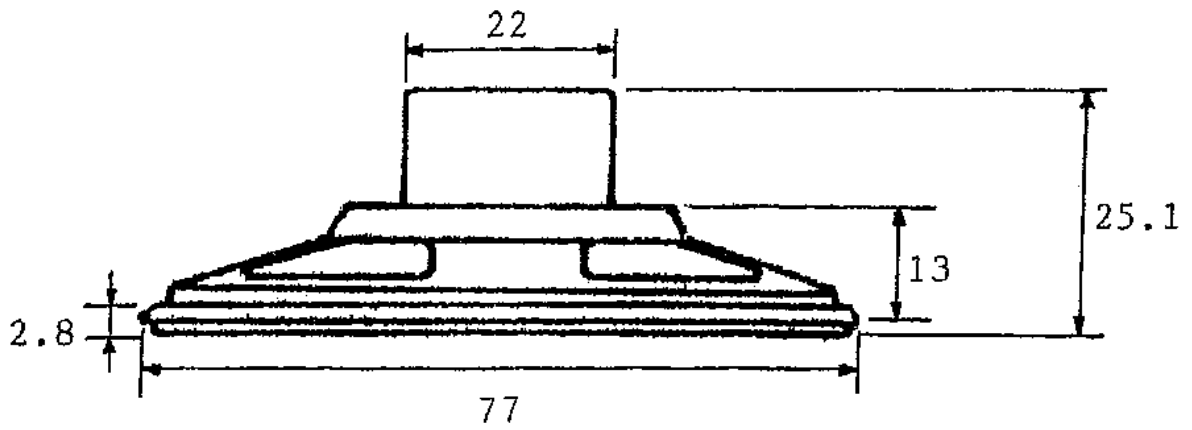
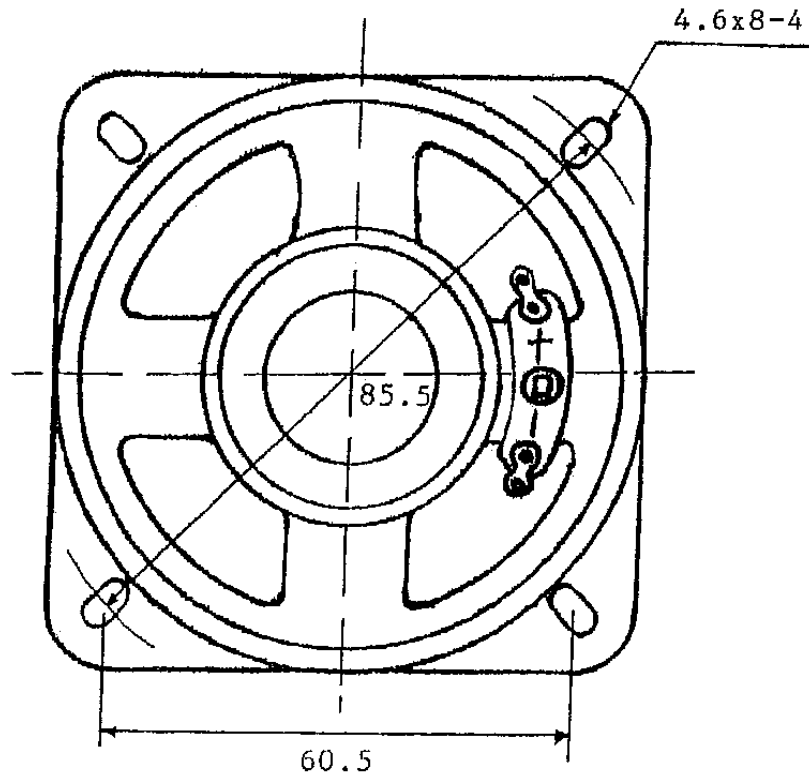
SHOGYO INTERNATIONAL CORP.

www.shogyo.com

SPEAKER SPECIFICATIONS

MODEL NO.	GA0776MX (RoHS)					
1	NOMINAL SIZE	77 mm	3 inch			
2	IMPEDANCE	8 Ω ± 15%	at. 800 Hz	1 V		
3	RESONANCE FO	320 Hz ± 64 Hz	FO Hz	1 V		
4	S.P. LEVEL	90 dB/w ± 3 dB	1 W 50 cm average at 700, 900, 1.2K, 1.4K Hz			
5	FREQ. RESPONSE	Fo Hz ~ 15K Hz				
6	INPUT POWER	Nominal Input 1 W	Handling Capacity 2 W			
7	OPERATION	Must be normal at program source 1 W				
8	BUZZ, RATTLE, ETC.	Must be normal at Sine Wave 2.83 V				
9	MAGNET	13 x 10 mm				
10	FLUX DENSITY	Gauss ± 10%	total flux max well within			
11	TOTAL WEIGHT	gr	oz			
12	LOAD TEST	After test meets Item 7 and 8	White noise 1 W 5 Hours			
13	DISTORTION					
14	HEAT TEST	After test meets Item 7 and 8	60 ± 2° C 20-50 % R.H. 5 Hours			
15	HUMIDITY TEST	After test meet Item 7 and 8	40 ± 2° C 90-95 % R.H. 5 Hours			





TOLERANCE: ± 0.8 MM

MODEL NO. GA0776X

APPROVED	CHECKED	DRAWING