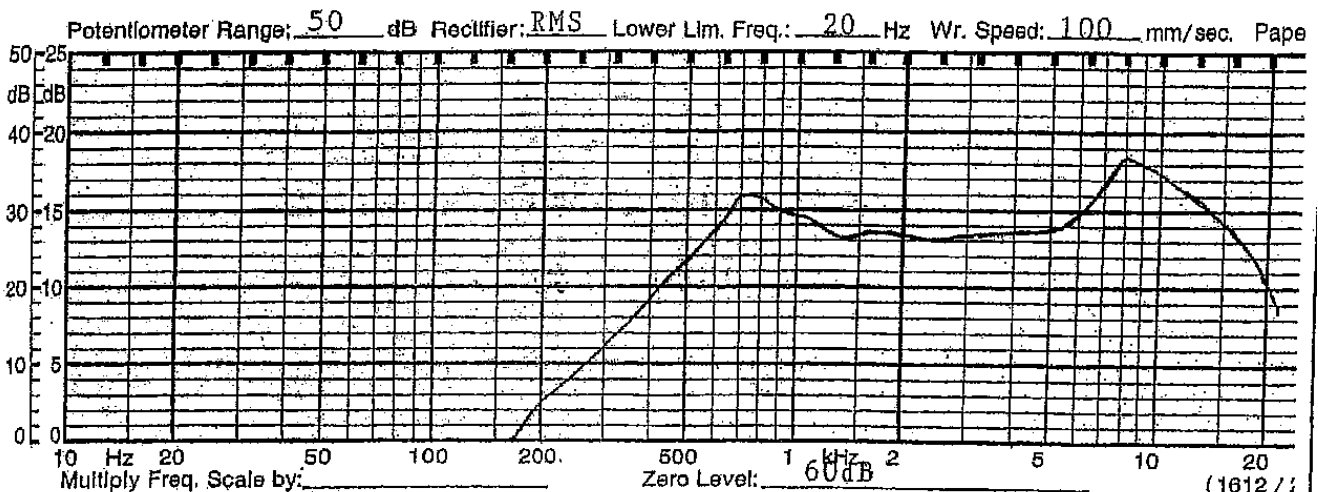


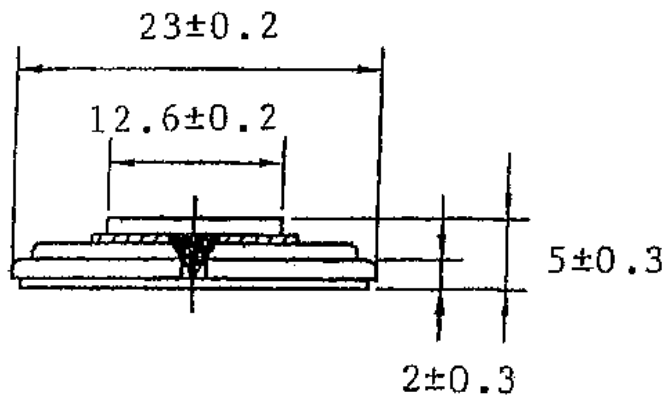
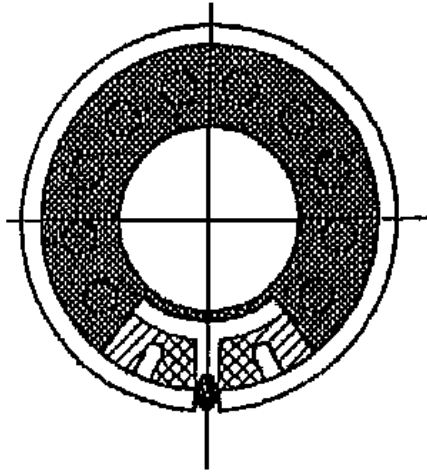
SHOGYO INTERNATIONAL CORP.

6851 JERICHO TPKE., SUITE 160
 SYOSSET, NEW YORK 11791
 TEL: (516) 921-9111
 FAX: (516) 921-3777
 www.shogyo.com

SPEAKER SPECIFICATIONS

MODEL NO.		GC0231MA-1X (RoHS)				
1	NOMINAL SIZE	23 mm	inch			
2	IMPEDANCE	8 Ω \pm 15%	at. 1K Hz	1 V		
3	RESONANCE FO	630 Hz \pm 126 Hz	FO Hz	1 V		
4	S.P.L. LEVEL	88 dB/w \pm 3 dB	1 W 50 cm average at			
5	FREQ. RESPONSE	Fo Hz ~ 10K Hz	800, 1K, 1.2K, 1.5K Hz			
6	INPUT POWER	Rated power 0.5 W	Handling Capacity 1 W			
7	OPERATION	Must be normal at program source 0.5 W				
8	BUZZ, RATTLE, ETC.	Must be normal at Sine Wave 2 V				
9	MAGNET	9.5 x 1.5 mm				
10	FLUX DENSITY	Gauss \pm 10%	total flux max well within			
11	DISTORTION					
12	LOAD TEST	After test meet Item 7 and 8	White noise 0.5 W 24 Hours			
13	OPERATION TEMP.					
14	HEAT TEST	After test meet Item 7 and 8	60 \pm 2° C 20-50 % R.H. 24 Hours			
15	HUMIDITY TEST	After test meet Item 7 and 8	40 \pm 2° C 90-95 % R.H. 24 Hours			





MODEL NO. GC0231MA-1X

APPROVED	CHECKED	DRAWING