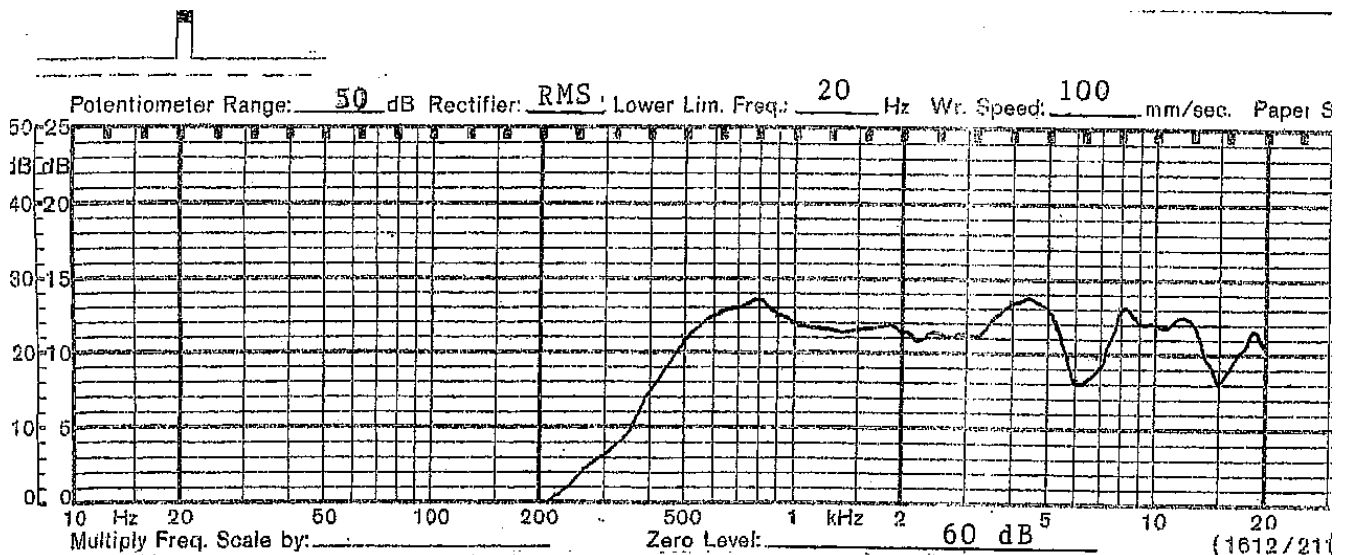


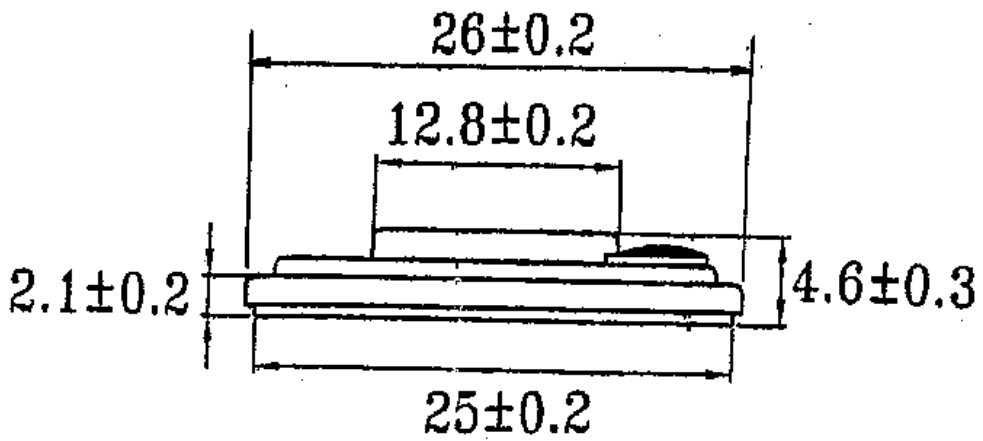
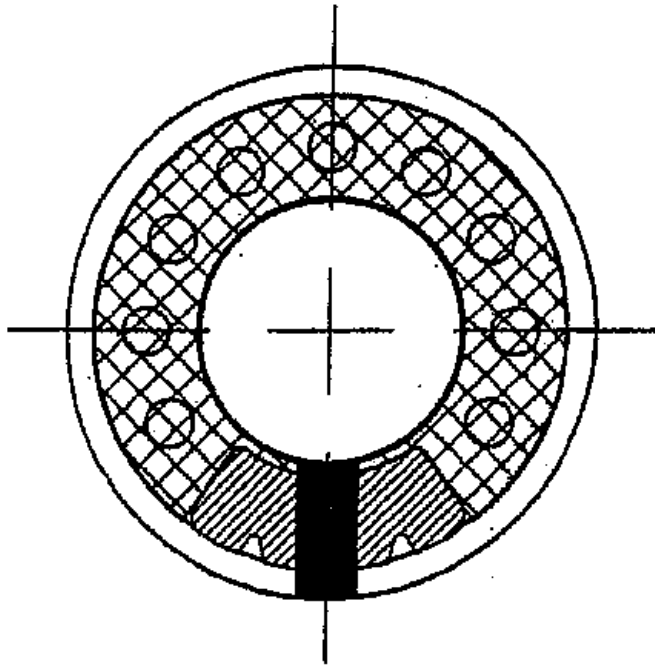
SHOGYO INTERNATIONAL CORP.

www.shogyo.com

SPEAKER SPECIFICATIONS

MODEL NO.	GC0261X (RoHS)					
1	NOMINAL SIZE	26 mm	inch			
2	IMPEDANCE	8 Ω ± 15%	at. 1K Hz		1 V	
3	RESONANCE FO	695 Hz ± 139 Hz	FO Hz		1 V	
4	S.P. LEVEL	84 dB/w ± 3 dB	1 W 50 cm average at			
5	FREQ. RESPONSE	Fo Hz ~ 20K Hz MAX 10 dB				
6	INPUT POWER	Nominal Input 1 W		Handling Capacity 1.5 W		
7	OPERATION	Must be normal at program source 1 W				
8	BUZZ, RATTLE, ETC.	Must be normal at Sine Wave 2.83 V				
9	MAGNET	9.5 x 1.5 mm				
10	FLUX DENSITY	Gauss ± 10%	total flux max well within			
11	TOTAL WEIGHT	gr		oz		
12	LOAD TEST	After test meets Item 7 and 8		White noise 1 W 24 Hours		
13	DISTORTION					
14	HEAT TEST	After test meets Item 7 and 8		65 ± 2° C 20-50 % R.H. 24 Hours		
15	HUMIDITY TEST	After test meet Item 7 and 8		40 ± 2° C 90-95 % R.H. 24 Hours		





MODEL NO. GC0261X

APPROVED	CHECKED	DRAWING