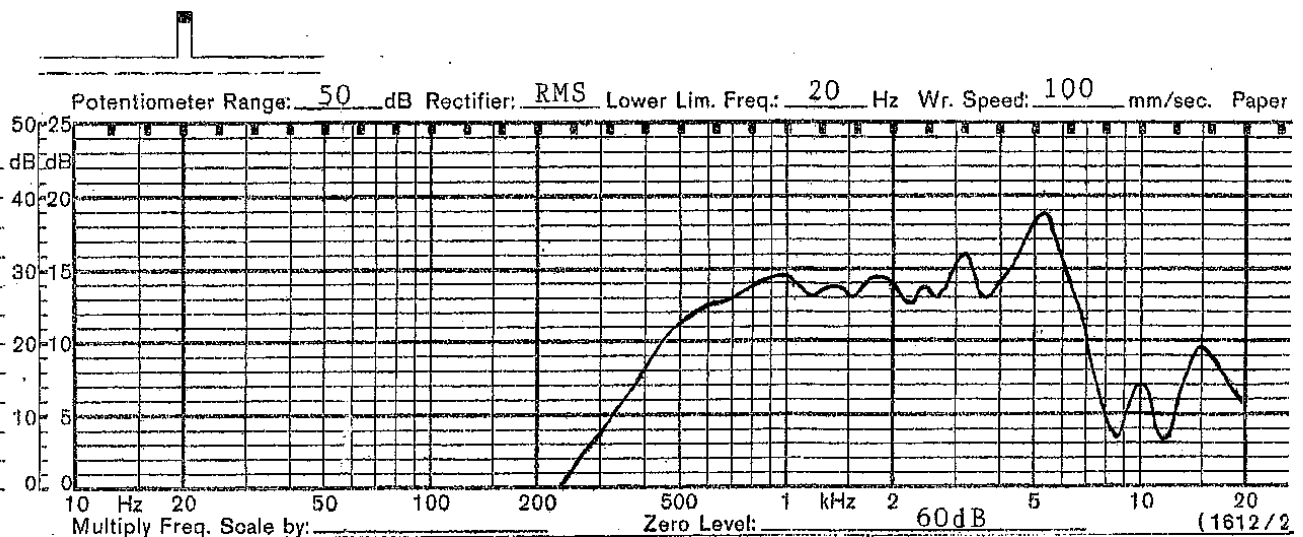


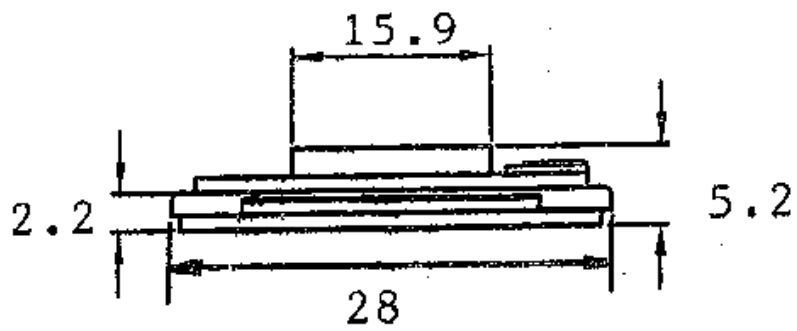
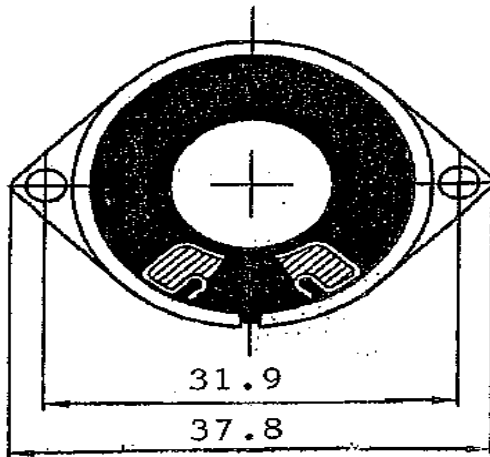
SHOGYO INTERNATIONAL CORP.

www.shogyo.com

SPEAKER SPECIFICATIONS

MODEL NO.	GC0281MAEX (RoHS)					
1	NOMINAL SIZE	28 mm	inch			
2	IMPEDANCE	8 Ω ± 15%	at. 1K Hz		1 V	
3	RESONANCE FO	780 Hz ± 156 Hz	FO Hz		1 V	
4	S.P. LEVEL	87 dB/w ± 3 dB	1 W 50 cm average at			
5	FREQ. RESPONSE	Fo Hz ~ 7.5K Hz	MAX 10 dB	800, 1K, 1.2K, 1.5K Hz		
6	INPUT POWER	Nominal Input 2 W		Handling Capacity 4 W		
7	OPERATION	Must be normal at program source 2 W				
8	BUZZ, RATTLE, ETC.	Must be normal at Sine Wave 4 V				
9	MAGNET	12.5 x 1.5 mm				
10	FLUX DENSITY	Gauss ± 10%	total flux max well within			
11	TOTAL WEIGHT	gr		oz		
12	LOAD TEST	After test meets Item 7 and 8	White noise 2 W 24 Hours			
13	DISTORTION					
14	HEAT TEST	After test meets Item 7 and 8	60 ± 2° C 20-50 % R.H. 24 Hours			
15	HUMIDITY TEST	After test meet Item 7 and 8	40 ± 2° C 90-95 % R.H. 24 Hours			





TOLERANCE: ± 0.3 MM

MODEL NO. GC0281MAEX

APPROVED	CHECKED	DRAWING