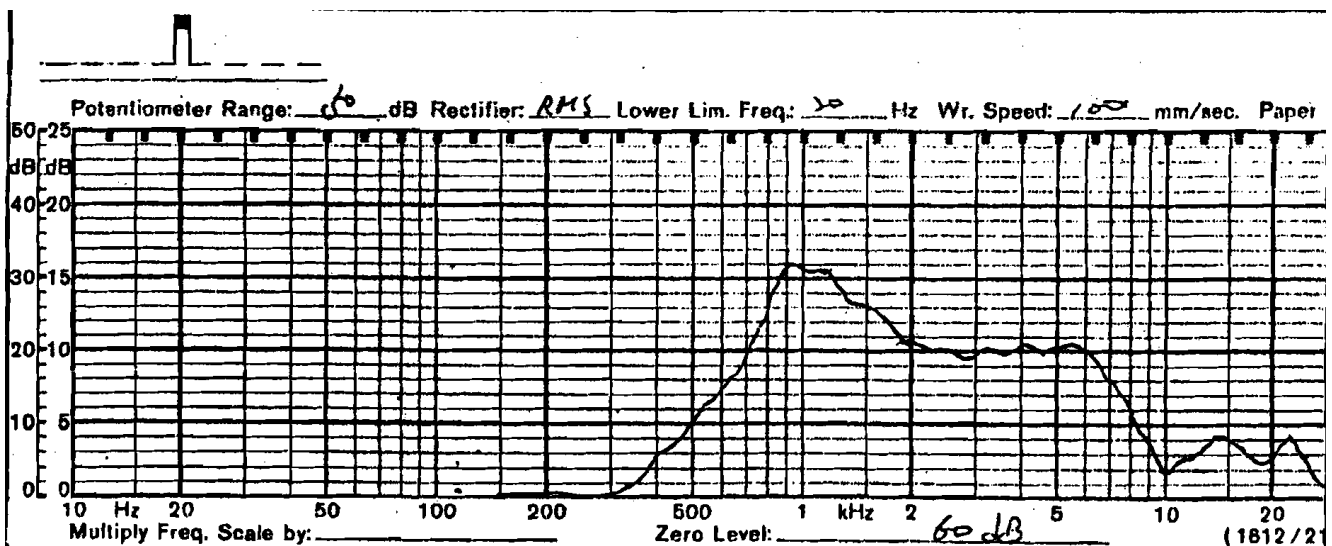


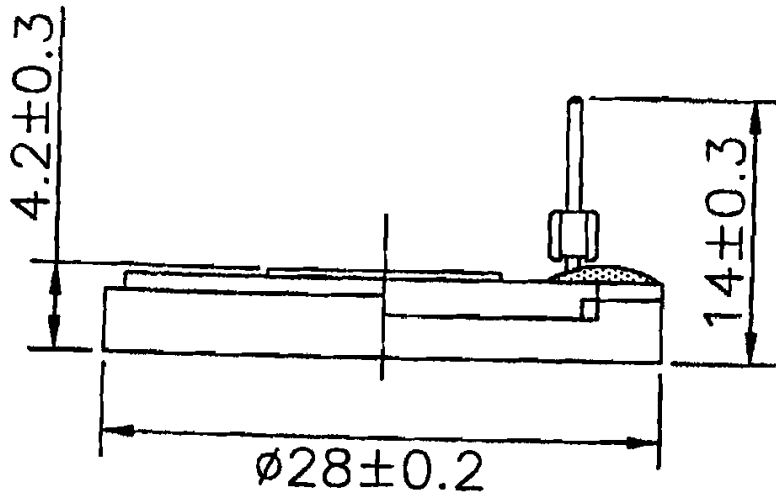
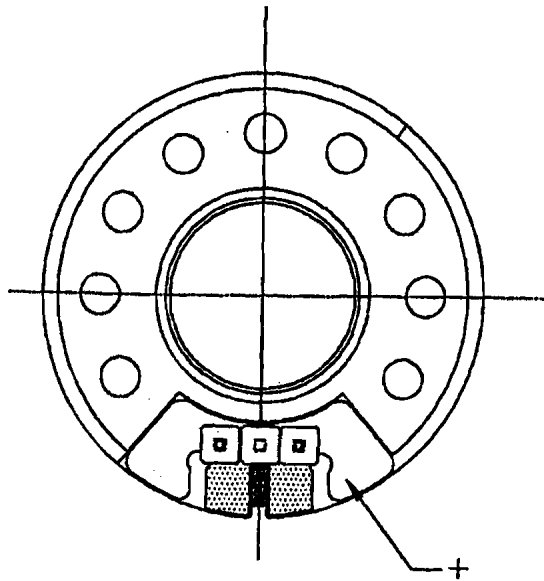
SHOGYO INTERNATIONAL CORP.

www.shogyo.com

SPEAKER SPECIFICATIONS

| | | | | | | |
|-----------|-------------------------|--|------------------------------------|----------------------------|--|--|
| MODEL NO. | GC0281MPX (RoHS) | | | | | |
| 1 | NOMINAL SIZE | 28mm | inch | | | |
| 2 | IMPEDANCE | 8 Ω \pm 15% | at. 1.5K Hz | 1 V | | |
| 3 | RESONANCE FO | 850 Hz \pm 150 Hz | FO Hz | 1 V | | |
| 4 | S.P. LEVEL | 82 dB/w \pm 3 dB | 0.2 W 50 cm average | | | |
| 5 | FREQ. RESPONSE | Fo Hz ~ 6K Hz | MAX 10 dB | at 1.2K, 1.5K, 2K, 2.5K Hz | | |
| 6 | INPUT POWER | Nominal Input 0.2 W | Handling Capacity 0.3 W | | | |
| 7 | OPERATION | Must be normal at program source 0.2 W | | | | |
| 8 | BUZZ, RATTLE, ETC. | Must be normal at Sine Wave 1.26 V | | | | |
| 9 | MAGNET | 9.5 x 1.5 mm | | | | |
| 10 | FLUX DENSITY | Gauss \pm 10% | total flux max well within | | | |
| 11 | TOTAL WEIGHT | gr | oz | | | |
| 12 | LOAD TEST | After test meets Item 7 and 8 | White noise 0.2 W 5 Hours | | | |
| 13 | DISTORTION | | | | | |
| 14 | HEAT TEST | After test meets Item 7 and 8 | 65 \pm 2° C 20-50 % R.H. 5 Hours | | | |
| 15 | HUMIDITY TEST | After test meet Item 7 and 8 | 40 \pm 2° C 90-95 % R.H. 5 Hours | | | |





MODEL NO. GC0281MPX

APPROVED

CHECKED

DRAWING