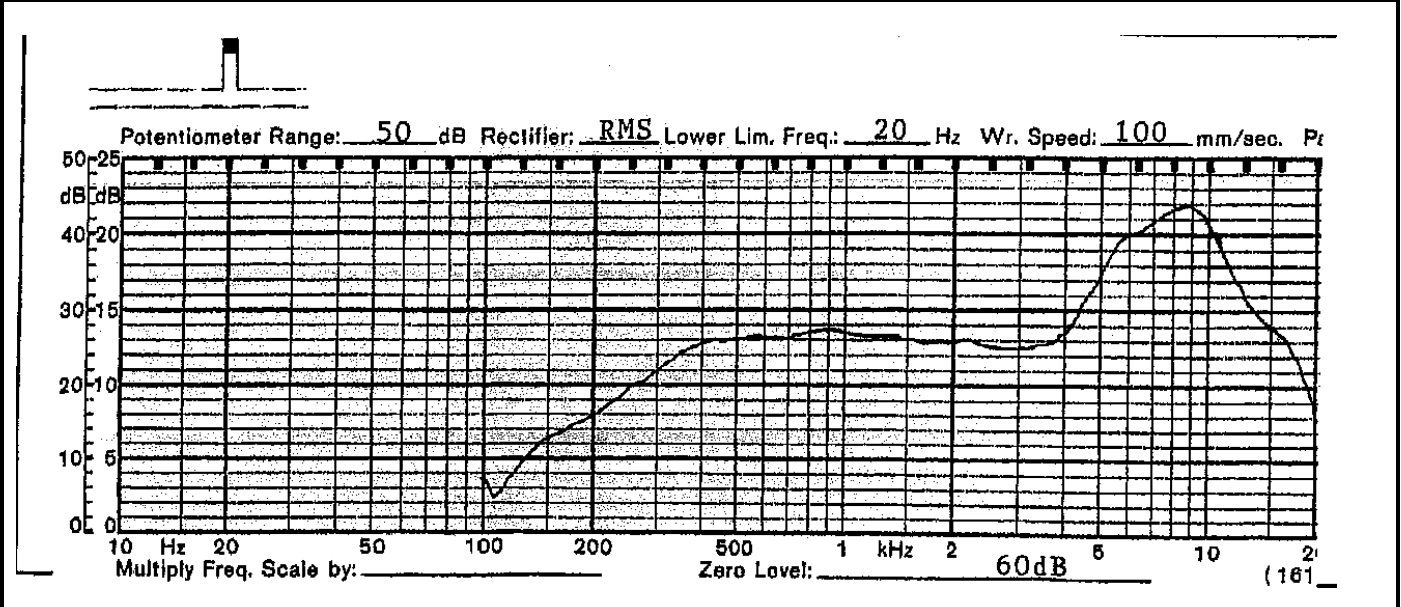


SHOGYO INTERNATIONAL CORP.

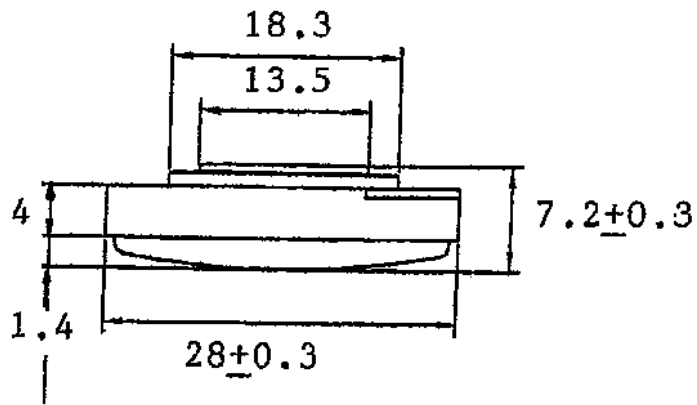
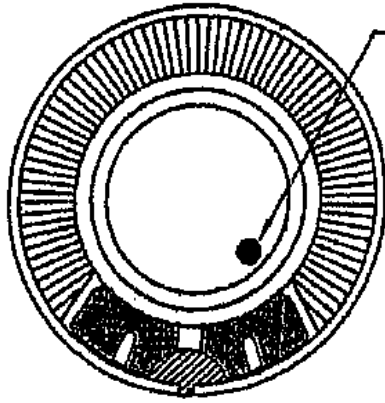
www.shogyo.com

SPEAKER SPECIFICATIONS

| | | | | | |
|-----------|-------------------------|--|---|-----|--|
| MODEL NO. | GC0282MGX (RoHS) | | | | |
| 1 | NOMINAL SIZE | 28 mm | inch | | |
| 2 | IMPEDANCE | 8 Ω \pm 15% | at. 1K Hz | 1 V | |
| 3 | RESONANCE FO | 350 Hz \pm 70 Hz | FO Hz | 1 V | |
| 4 | S.P. LEVEL | 86 dB/w \pm 3 dB | 0.001 W 5 cm average at 500, 600, 800, 1K Hz | | |
| 5 | FREQ. RESPONSE | Fo Hz ~ 3.8K Hz | | | |
| 6 | INPUT POWER | Nominal Input 0.1 W | Handling Capacity 0.2 W | | |
| 7 | OPERATION | Must be normal at program source 0.1 W | | | |
| 8 | BUZZ, RATTLE, ETC. | Must be normal at Sine Wave 0.89 V | | | |
| 9 | MAGNET | 12.5 x 1.5 mm | | | |
| 10 | FLUX DENSITY | Gauss \pm 10% | total flux max well within | | |
| 11 | TOTAL WEIGHT | gr | oz | | |
| 12 | LOAD TEST | After test meets Item 7 and 8 | White noise 0.1 W 48 Hours | | |
| 13 | DISTORTION | | | | |
| 14 | HEAT TEST | After test meets Item 7 and 8 | 60 \pm 2° C 20-50 % R.H. 48 Hours | | |
| 15 | HUMIDITY TEST | After test meet Item 7 and 8 | 40 \pm 2° C 90-95 % R.H. 48 Hours | | |



RED POINT
(SHOW THE POSITIVE)



MODEL NO. GC0282MGX

| APPROVED | CHECKED | DRAWING |
|----------|---------|---------|
| | | |