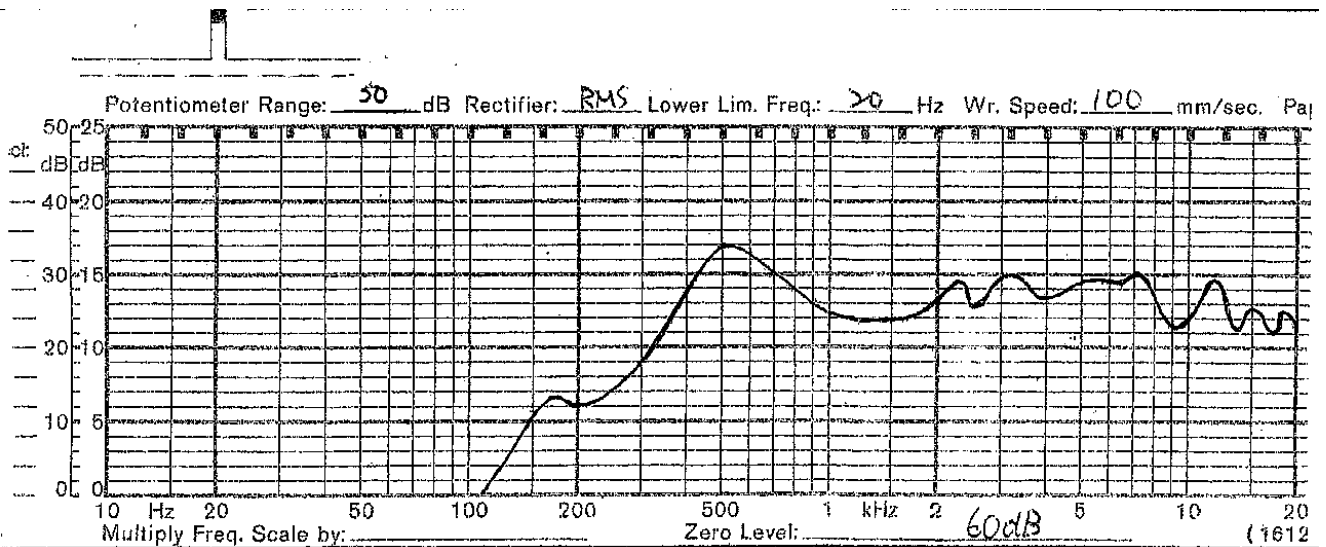


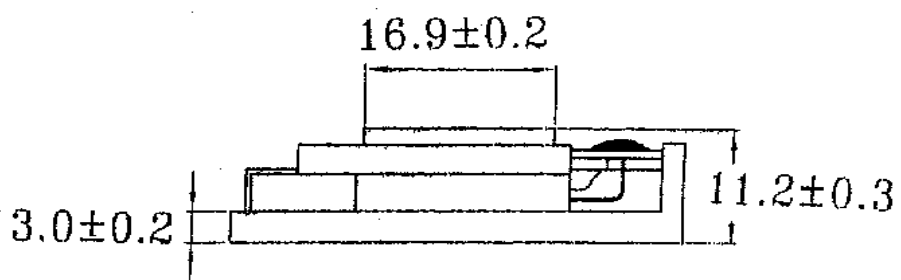
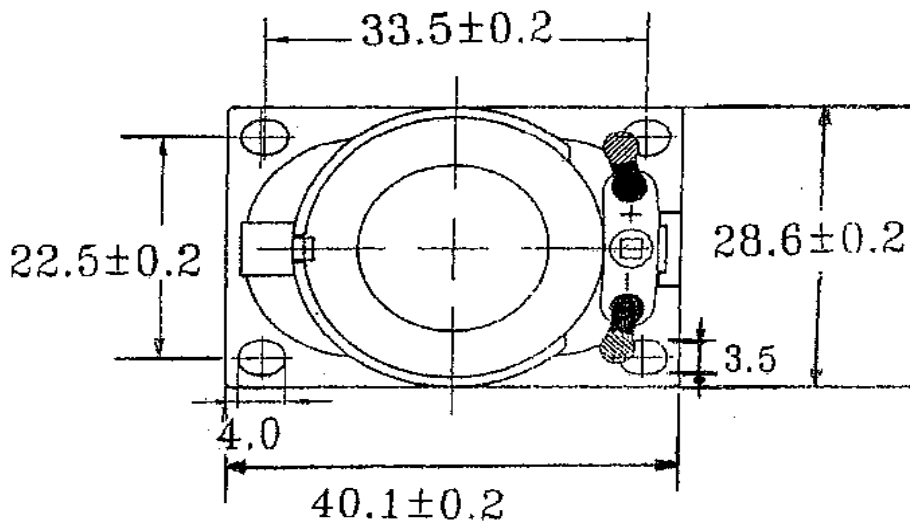
# SHOGYO INTERNATIONAL CORP.

www.shogyo.com

## SPEAKER SPECIFICATIONS

MODEL NO.	GC0401KAFX (RoHS)					
1	NOMINAL SIZE	40.1 x 28.6 x 11.2	inch			
2	IMPEDANCE	8 Ω ± 15%	at. 1 Hz		1 V	
3	RESONANCE FO	430 Hz ± 86 Hz	FO Hz		1 V	
4	S.P.L. LEVEL	87 dB/w ± 3 dB	1 W 50 cm average at			
5	FREQ. RESPONSE	Fo Hz ~ 20K Hz	MAX 10 dB	600, 800, 1K, 1.2K Hz		
6	INPUT POWER	Nominal Input 1 W	Handling Capacity 2 W			
7	OPERATION	Must be normal at program source 1 W				
8	BUZZ, RATTLE, ETC.	Must be normal at Sine Wave 2.83 V				
9	MAGNET	12.5 x 2 mm				
10	FLUX DENSITY	Gauss ± 10%	total flux max well within			
11	DISTORTION					
12	LOAD TEST	After test meet Item 7 and 8	White noise 01 W 96 Hours			
13	OPERATION TEMP.					
14	HEAT TEST	After test meet Item 7 and 8	60 ± 2° C 20-50 % R.H. 96 Hours			
15	HUMIDITY TEST	After test meet Item 7 and 8	40 ± 2° C 90-95 % R.H. 96Hours			





MODEL NO.

GC0401KBFX

APPROVED

CHECKED

DRAWING