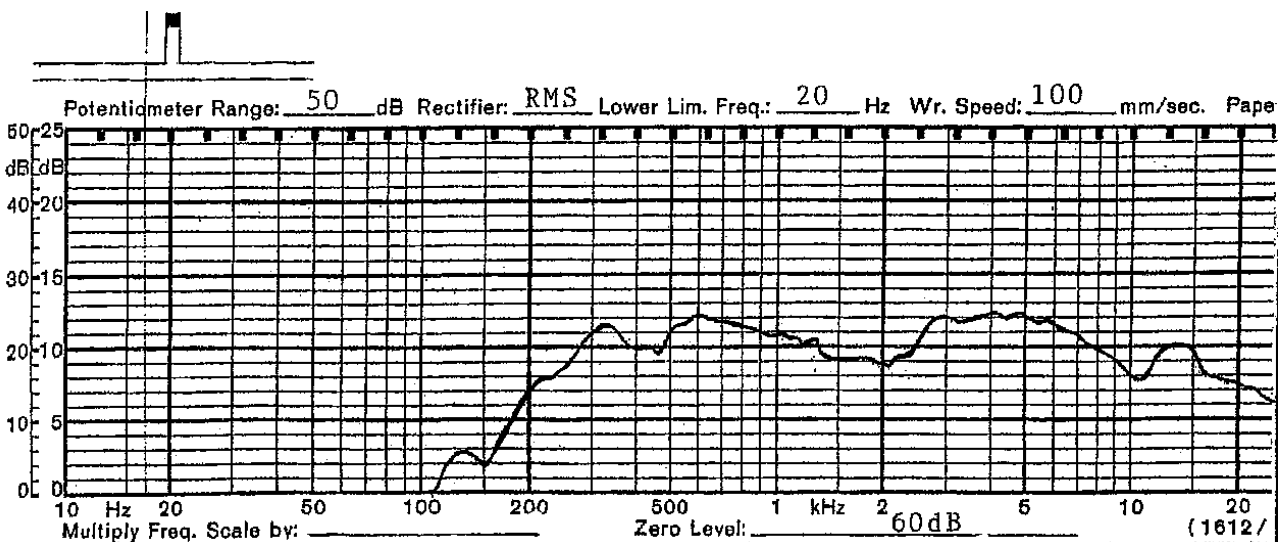


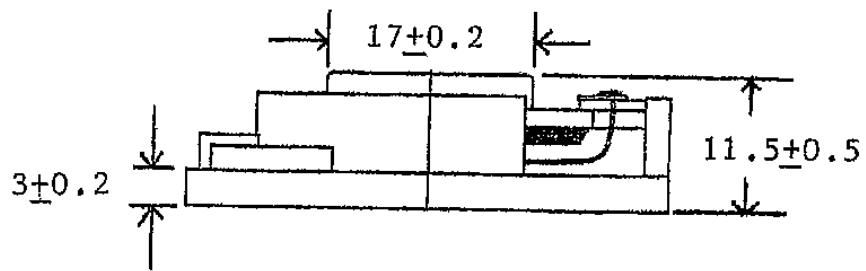
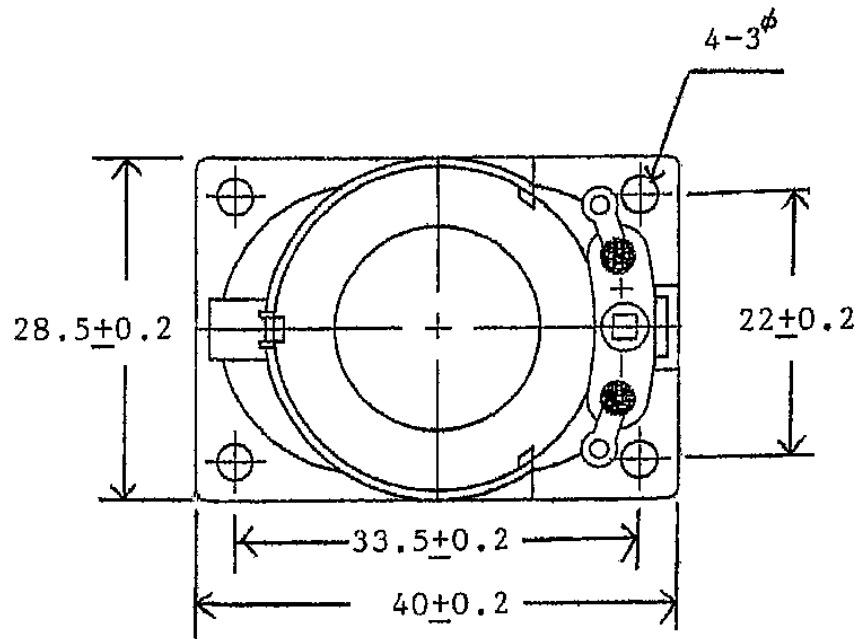
SHOGYO INTERNATIONAL CORP.

www.shogyo.com

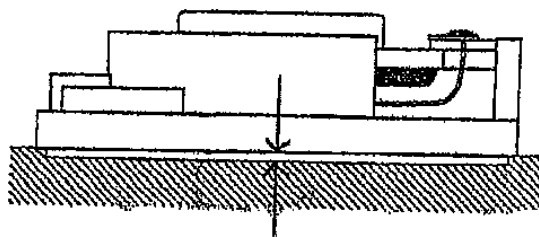
SPEAKER SPECIFICATIONS

MODEL NO.	GC0401KX (RoHS)				
1	NOMINAL SIZE	28.5 x 40 mm	inch		
2	IMPEDANCE	8 Ω ± 15%	at. 1K Hz	1 V	
3	RESONANCE FO	390 Hz ± 78 Hz	FO Hz	1 V	
4	S.P.L. LEVEL	82 dB/w ± 3 dB	1 W 50 cm average at 600, 800K, 1K, 1.2K Hz		
5	FREQ. RESPONSE	Fo Hz ~ 20K Hz			
6	INPUT POWER	Nominal Input 1 W	Handling Capacity 2 W		
7	OPERATION	Must be normal at program source 1 W			
8	BUZZ, RATTLE, ETC.	Must be normal at Sine Wave 2.83 V			
9	MAGNET	12.5 x 1.5 mm			
10	FLUX DENSITY	Gauss ± 10% total flux max well within			
11	DISTORTION				
12	LOAD TEST	After test meet Item 7 and 8	White noise 1 W 24 Hours		
13	OPERATION TEMP.				
14	HEAT TEST	After test meet Item 7 and 8	60 ± 2° C 20-50 % R.H. 24 Hours		
15	HUMIDITY TEST	After test meet Item 7 and 8	40 ± 2° C 90-95 % R.H. 24 Hours		





MOUNTING NOTICE



**AT LEAST 0.8 MM GAP FOR
CONE PAPER OPERATING**

MODEL NO. GC0401KX		
APPROVED	CHECKED	DRAWING