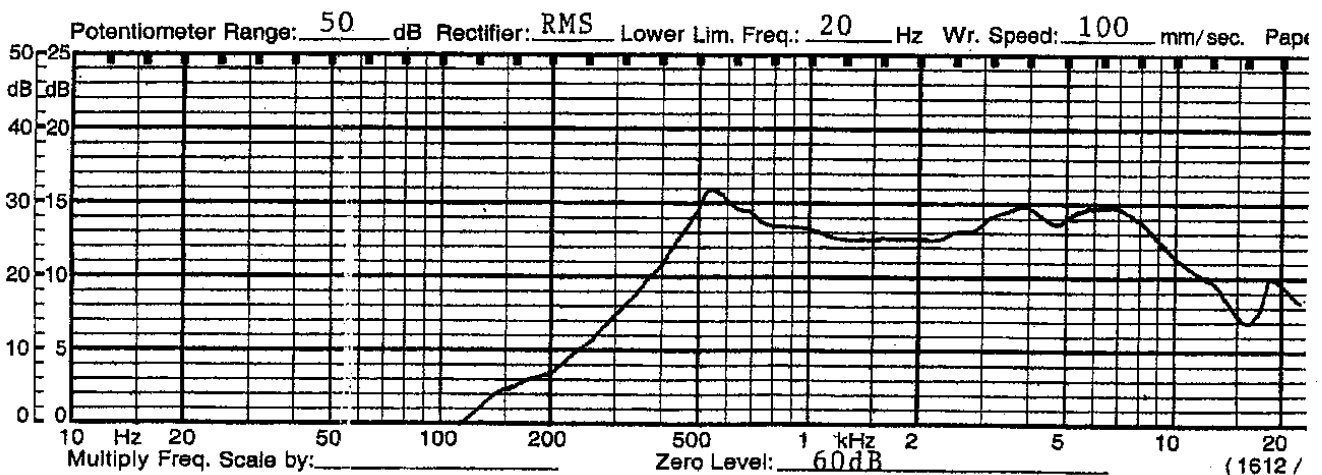


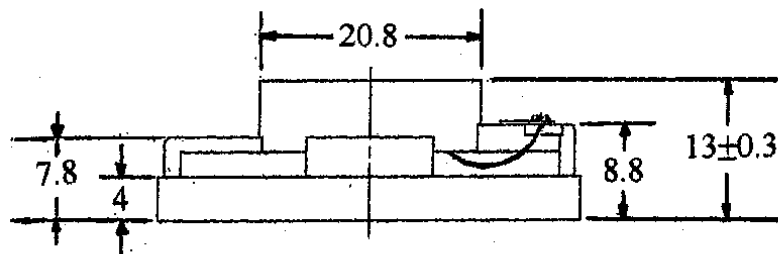
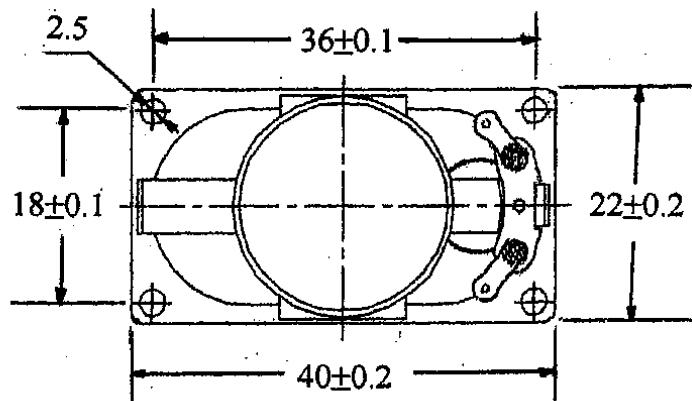
SHOGYO INTERNATIONAL CORP.

www.shogyo.com

SPEAKER SPECIFICATIONS

| | | | | | |
|-----------|-------------------------|---|--|-------------------------------|--|
| MODEL NO. | GC0401LSX (RoHS) | | | | |
| 1 | NOMINAL SIZE | 22 x 40 mm | inch | | |
| 2 | IMPEDANCE | 8 Ω ± 15% | at. 1K Hz | 1 V | |
| 3 | RESONANCE FO | 500 Hz ± 100 Hz | FO Hz | 1 V | |
| 4 | S.P.L. LEVEL | 86 dB/w ± 3 dB | 1 W 50 cm average at | | |
| 5 | FREQ. RESPONSE | Fo Hz ~ 20K Hz | MAX 10 dB | 800, 1K, 1.2K, 1.5K Hz | |
| 6 | INPUT POWER | Nominal Input 2 W | Handling Capacity 3 W | | |
| 7 | OPERATION | Must be normal at program source 2 W | | | |
| 8 | BUZZ, RATTLE, ETC. | Must be normal at Sine Wave 4 V | | | |
| 9 | MAGNET | 18.5 x 9.6 x 2.5 mm | | | |
| 10 | FLUX DENSITY | Gauss ± 10% total flux max well within | | | |
| 11 | DISTORTION | | | | |
| 12 | LOAD TEST | After test meet Item 7 and 8 | White noise 2 W 24 Hours | | |
| 13 | OPERATION TEMP. | | | | |
| 14 | HEAT TEST | After test meet Item 7 and 8 | 60 ± 2° C 20-50 % R.H. 24 Hours | | |
| 15 | HUMIDITY TEST | After test meet Item 7 and 8 | 40 ± 2° C 90-95 % R.H. 24 Hours | | |





MODEL NO. GC0401LSX

| APPROVED | CHECKED | DRAWING |
|----------|---------|---------|
| | | |