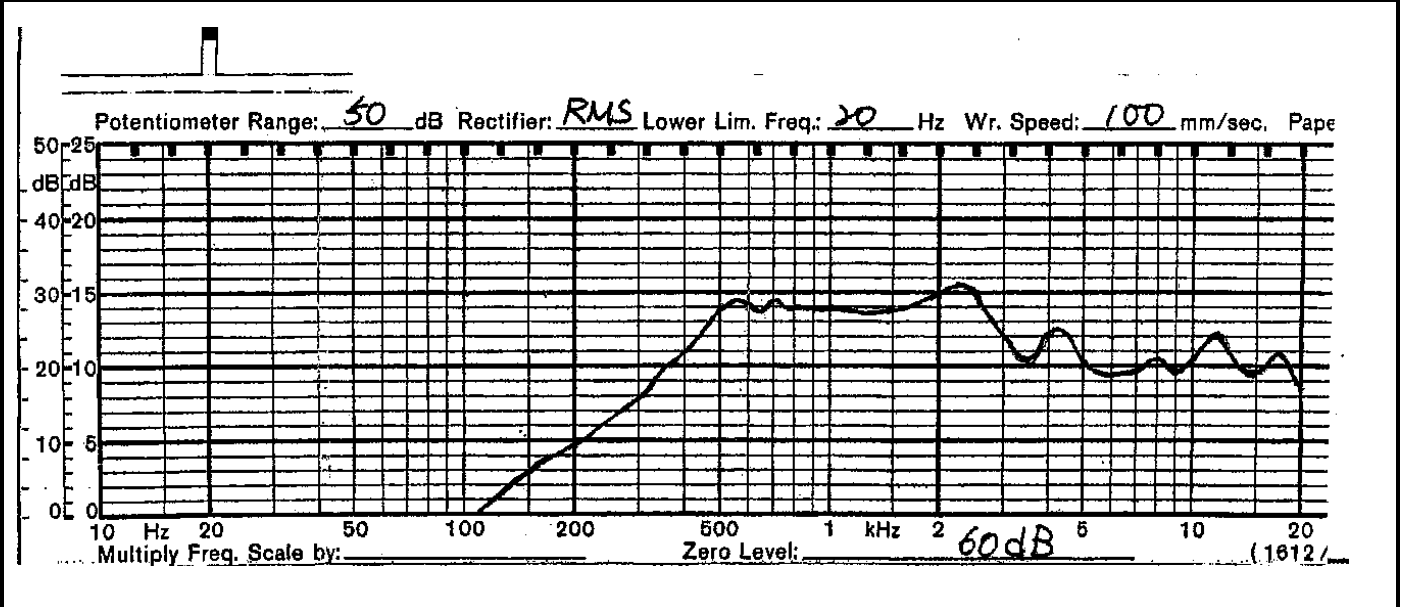


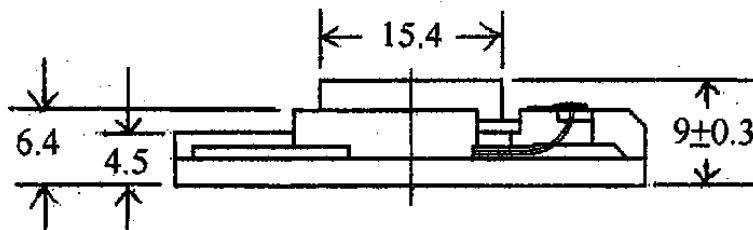
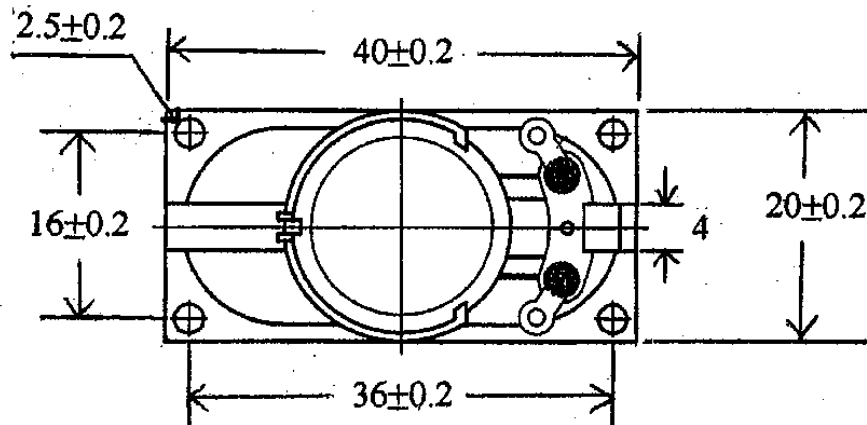
SHOGYO INTERNATIONAL CORP.

www.shogyo.com

SPEAKER SPECIFICATIONS

MODEL NO.	GC0401SPNX (RoHS)					
1	NOMINAL SIZE	40 mm	inch			
2	IMPEDANCE	8 Ω \pm 15%	at. 1K Hz		1 V	
3	RESONANCE FO	480 Hz \pm 96 Hz	FO Hz		1 V	
4	S.P.L. LEVEL	89 dB/w \pm 3 dB	1 W 50 cm average at			
5	FREQ. RESPONSE	Fo Hz ~ 20K Hz	MAX 10 dB	800, 1K, 1.2K, 1.5K Hz		
6	INPUT POWER	Nominal Input 2 W	Handling Capacity 2.5 W			
7	OPERATION	Must be normal at program source 2 W				
8	BUZZ, RATTLE, ETC.	Must be normal at Sine Wave 4 V				
9	MAGNET	11.5 x 2.5 mm				
10	FLUX DENSITY	Gauss \pm 10%	total flux max well within			
11	DISTORTION					
12	LOAD TEST	After test meet Item 7 and 8	White noise 2 W 24 Hours			
13	OPERATION TEMP.					
14	HEAT TEST	After test meet Item 7 and 8	65 \pm 2° C 20-50 % R.H. 24 Hours			
15	HUMIDITY TEST	After test meet Item 7 and 8	40 \pm 2° C 90-95 % R.H. 24 Hours			





MODEL NO. GC0401SPNX

APPROVED

CHECKED

DRAWING