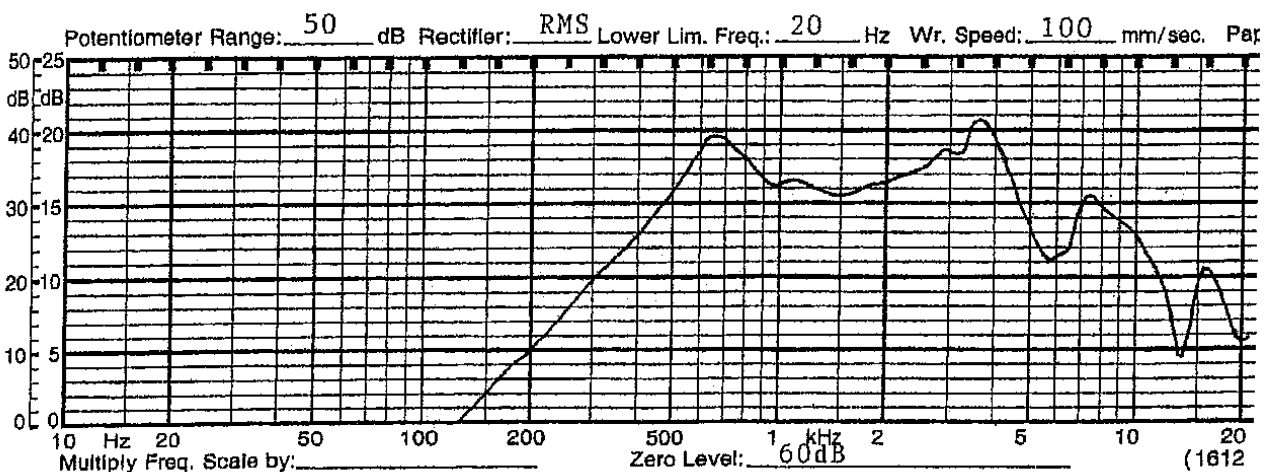


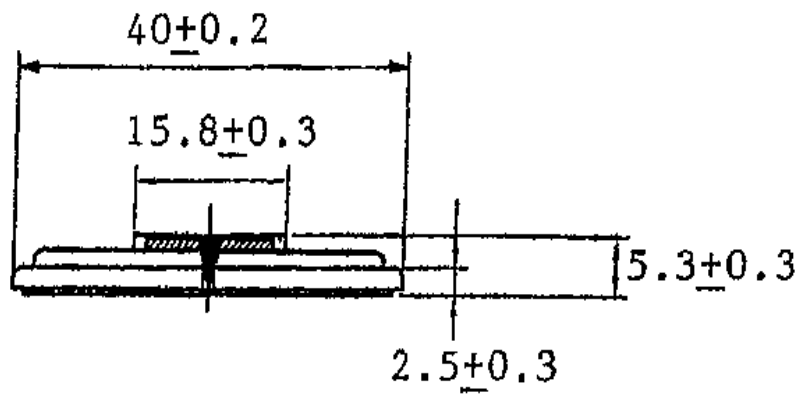
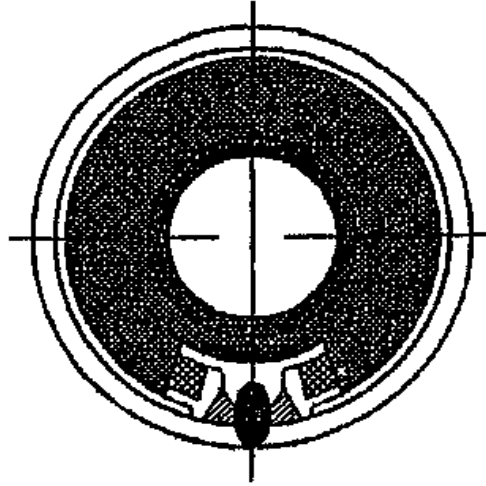
SHOGYO INTERNATIONAL CORP.

www.shogyo.com

SPEAKER SPECIFICATIONS

MODEL NO.	GC0402MA-1X (RoHS)				
1	NOMINAL SIZE	40 mm	inch		
2	IMPEDANCE	8 Ω \pm 15%	at. 800 Hz	1 V	
3	RESONANCE FO	580 Hz \pm 116 Hz	FO Hz	1 V	
4	S.P.L. LEVEL	92 dB/w \pm 3 dB	1 W 50 cm average at 800, 1K, 1.2K, 1.5K Hz		
5	FREQ. RESPONSE	Fo Hz ~ 13K Hz			
6	INPUT POWER	Nominal Input 0.5 W	Handling Capacity 1 W		
7	OPERATION	Must be normal at program source 0.5 W			
8	BUZZ, RATTLE, ETC.	Must be normal at Sine Wave 2 V			
9	MAGNET	12.5 x 1.5 mm			
10	FLUX DENSITY	Gauss \pm 10% total flux max well within			
11	DISTORTION				
12	LOAD TEST	After test meet Item 7 and 8	White noise 0.5 W 24 Hours		
13	OPERATION TEMP.				
14	HEAT TEST	After test meet Item 7 and 8	60 \pm 2° C 20-50 % R.H. 24 Hours		
15	HUMIDITY TEST	After test meet Item 7 and 8	40 \pm 2° C 90-95 % R.H. 24 Hours		





MODEL NO. GC0402MA-1X

APPROVED	CHECKED	DRAWING