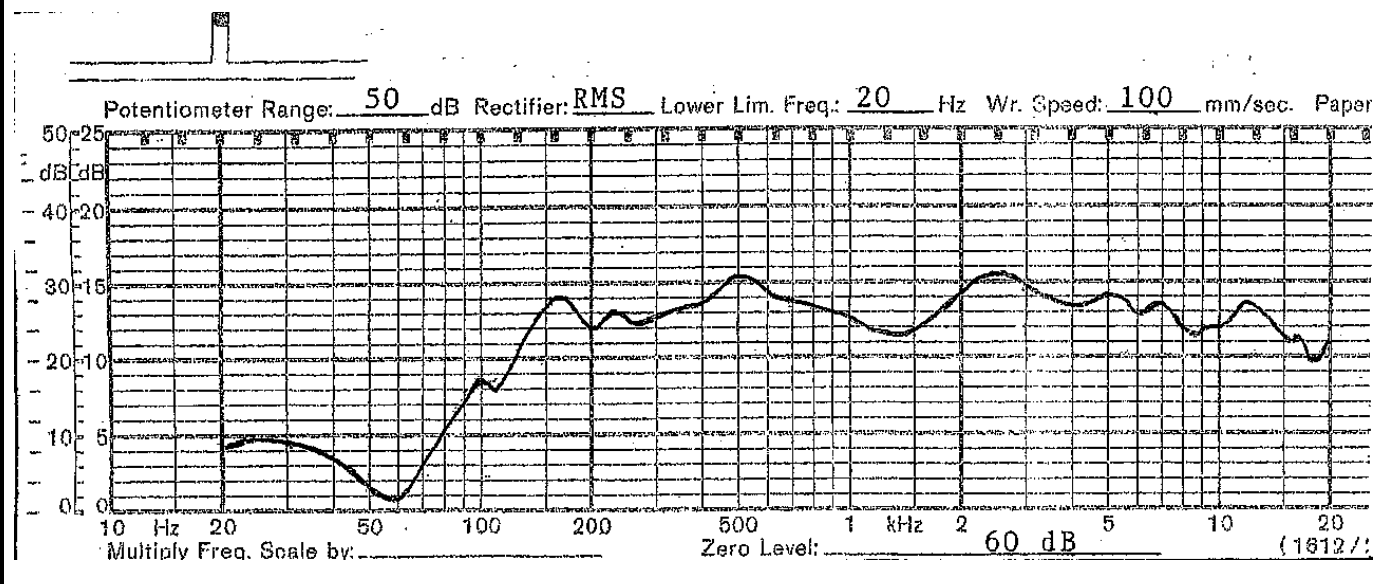


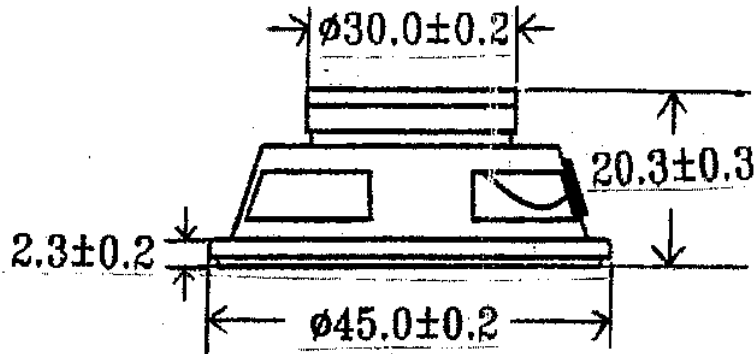
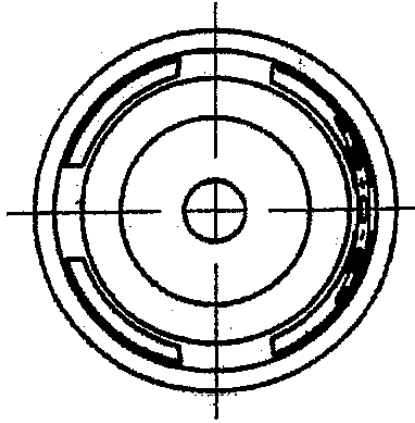
SHOGYO INTERNATIONAL CORP.

www.shogyo.com

SPEAKER SPECIFICATIONS

MODEL NO.	GC0451ILX (RoHS)					
1	NOMINAL SIZE	45 mm	inch			
2	IMPEDANCE	8 Ω ± 15%	at. 1K Hz	1 V		
3	RESONANCE FO	160 Hz ± 32 Hz	FO Hz	1 V		
4	S.P. LEVEL	87 dB/w ± 3 dB	1 W 50 cm average at			
5	FREQ. RESPONSE	Fo Hz ~ 20K Hz	MAX 10 dB	250, 300, 400, 500 Hz		
6	INPUT POWER	Nominal Input 2 W	Handling Capacity 4 W			
7	OPERATION	Must be normal at program source 2 W				
8	BUZZ, RATTLE, ETC.	Must be normal at Sine Wave 4 V				
9	MAGNET	30 x 19 x 3 mm				
10	FLUX DENSITY	Gauss ± 10%	total flux max well within			
11	TOTAL WEIGHT	gr	oz			
12	LOAD TEST	After test meets Item 7 and 8	White noise 2 W 96 Hours			
13	DISTORTION					
14	HEAT TEST	After test meets Item 7 and 8	60 ± 2° C 20-50 % R.H. 96 Hours			
15	HUMIDITY TEST	After test meet Item 7 and 8	40 ± 2° C 90-95 % R.H. 96 Hours			





MODEL NO. GC0451ILX

APPROVED	CHECKED	DRAWING