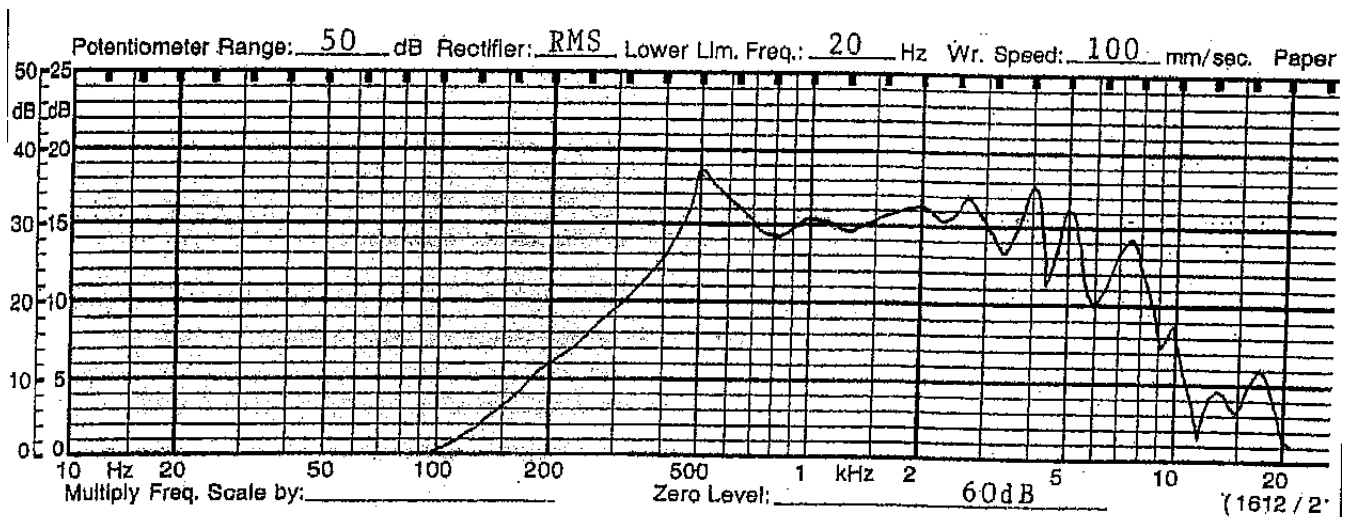


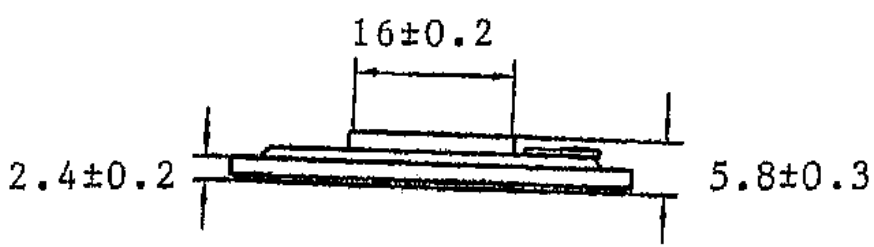
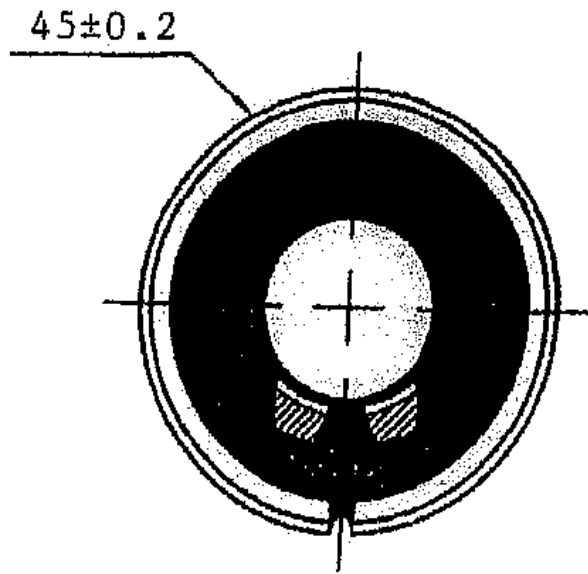
SHOGYO INTERNATIONAL CORP.

www.shogyo.com

SPEAKER SPECIFICATIONS

MODEL NO.	GC0455MAX (RoHS)				
1	NOMINAL SIZE	45 mm	inch		
2	IMPEDANCE	8 Ω \pm 15%	at. 1K Hz	1 V	
3	RESONANCE FO	530 Hz \pm 106 Hz	FO Hz	1 V	
4	S.P. LEVEL	90 dB/w \pm 3 dB	1 W 50 cm average at 600, 800, 1K, 1.2K Hz		
5	FREQ. RESPONSE	Fo Hz ~ 4.5K Hz			
6	INPUT POWER	Nominal Input 1.5 W	Handling Capacity 3 W		
7	OPERATION	Must be normal at program source 1.5 W			
8	BUZZ, RATTLE, ETC.	Must be normal at Sine Wave 3.46 V			
9	MAGNET	NdFeB 12.5 x 2.0 mm			
10	FLUX DENSITY	Gauss \pm 10%	total flux max well within		
11	TOTAL WEIGHT	gr	oz		
12	LOAD TEST	After test meets Item 7 and 8	White noise 1.5 W 24 Hours		
13	DISTORTION				
14	HEAT TEST	After test meets Item 7 and 8	60 \pm 2° C 20-50 % R.H. 24 Hours		
15	HUMIDITY TEST	After test meet Item 7 and 8	40 \pm 2° C 90-95 % R.H. 24 Hours		





MODEL NO. GC0455MAX		
APPROVED	CHECKED	DRAWING