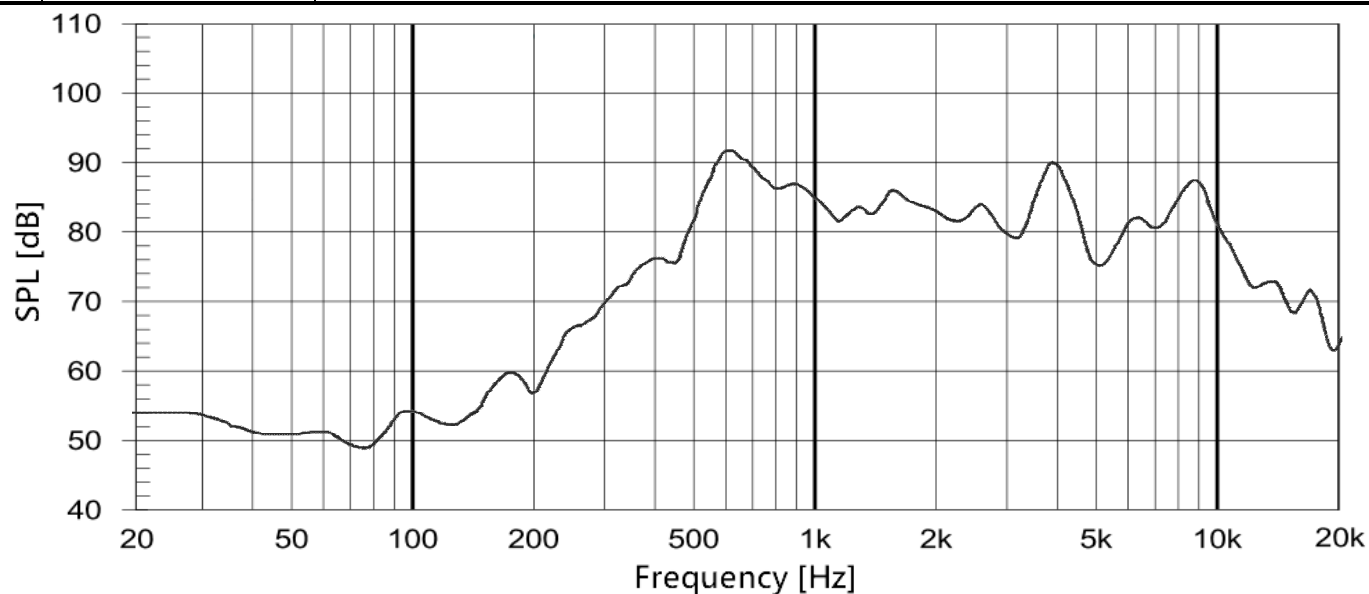


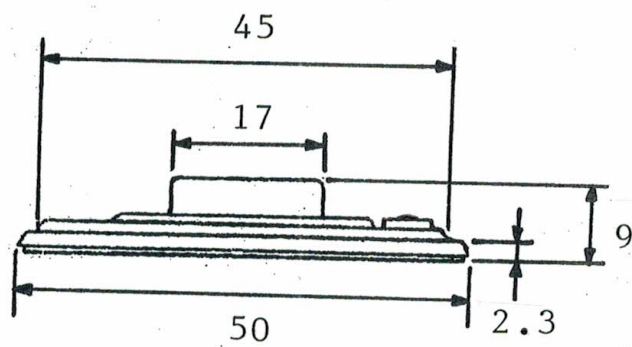
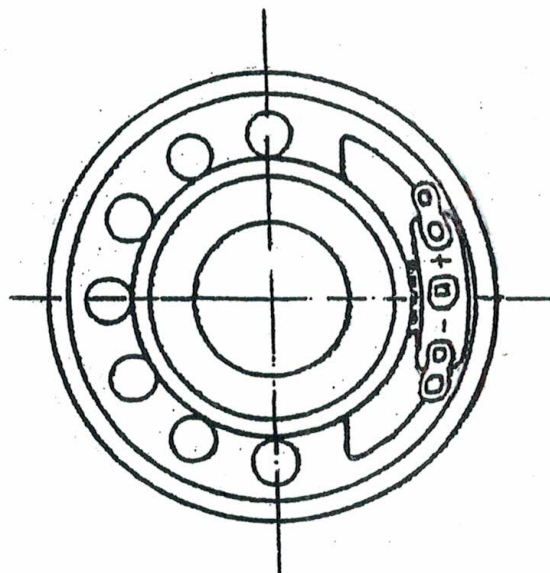
SHOGYO INTERNATIONAL CORP.

www.shogyo.com

SPEAKER SPECIFICATIONS

MODEL NO.	GC0501MX-1				
1	NOMINAL SIZE	50 mm			
2	IMPEDANCE	8 $\Omega \pm 15\%$			
3	RESONANCE FO	600 Hz \pm 120 Hz			
4	OUTPUT S.P.L.	84 dB \pm 3 dB	0.2 W 50 cm average at 1K, 1.4K, 1.7K, 2K Hz		
5	FREQ. RESPONSE	Fo Hz ~ 12K Hz			
6	INPUT POWER	Rated power 0.2 W	Max power 0.5 W		
7	OPERATION	Must be normal at program source 0.2 W			
8	BUZZ, RATTLE, ETC.	Must be normal at Sine Wave 1.26 V			
9	MAGENET	NdFeB 12.5 x 1.5H mm			
10	TOTAL WEIGHT	12.6 grams			
11	DISTORTION	5% MAX at 1K Hz 0.2 W			
12	LOAD TEST	Must be normal White noise 0.2 W 24 Hours at 25°C (room temp.)			
13	OPERATION TEMP.	Must be normal -25°C ~ +60°C			
14	HEAT TEST	Must be normal 60 \pm 2°C 20-50 % R.H. 24 Hours			
15	HUMIDITY TEST	Must be normal 40 \pm 2°C 90-95 % R.H. 24 Hours			





MODEL NO. GC0501MX-1		
APPROVED	CHECKED	DRAWING