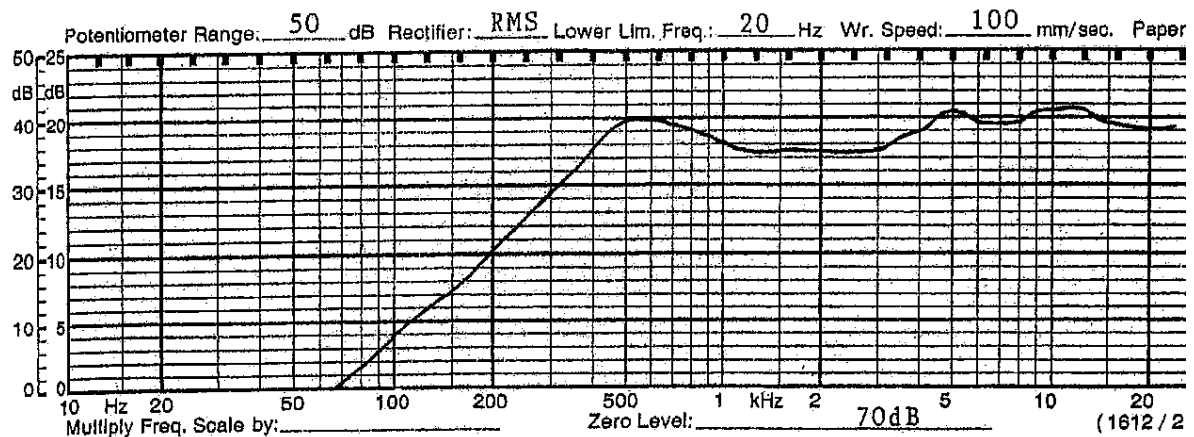


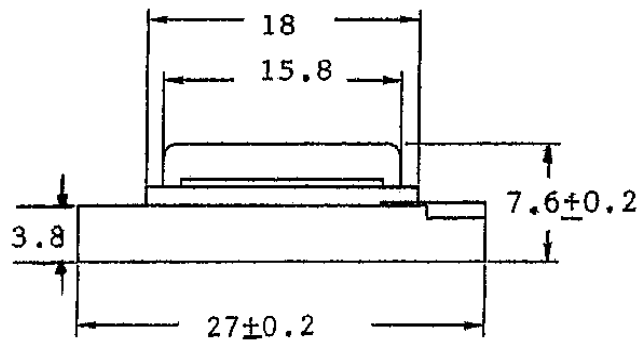
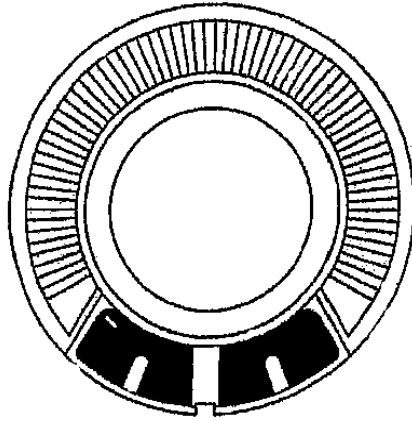
SHOGYO INTERNATIONAL CORP.

www.shogyo.com

SPEAKER SPECIFICATIONS

MODEL NO.	GF0271MX (RoHS)				
1	NOMINAL SIZE	27 mm	2	inch	
2	IMPEDANCE	8 Ω \pm 15%	at.	800 Hz	1 V
3	RESONANCE FO	490 Hz \pm 98 Hz	FO	Hz	1 V
4	S.P.L. LEVEL	106 dB \pm 3 dB	0.001 W 0.15 cm		
5	FREQ. RESPONSE	Fo Hz ~ 20K Hz	MAX	average at 1K Hz	
			10 dB		
6	INPUT POWER	Rated power 0.1 W	HandlingCapacity	0.2 W	
7	OPERATION	Must be normal at program source 0.1 W			
8	BUZZ, RATTLE, ETC.	Must be normal at Sine Wave 0.89 V			
9	MAGNET	12.5 x 3.8 mm			
10	FLUX DENSITY	Gauss \pm 10%	total flux max well within		
11	DISTORTION				
12	LOAD TEST	Must be normal	White noise	0.1 W 24 Hours	
13	OPERATION TEMP.				
14	HEAT TEST	Must be normal	60 \pm 2° C	20-50 % R.H.	24 Hours
15	HUMIDITY TEST	Must be normal	40 \pm 2° C	90-95 % R.H.	24 Hours





MODEL NO.

GF0271MX

APPROVED

CHECKED

DRAWING