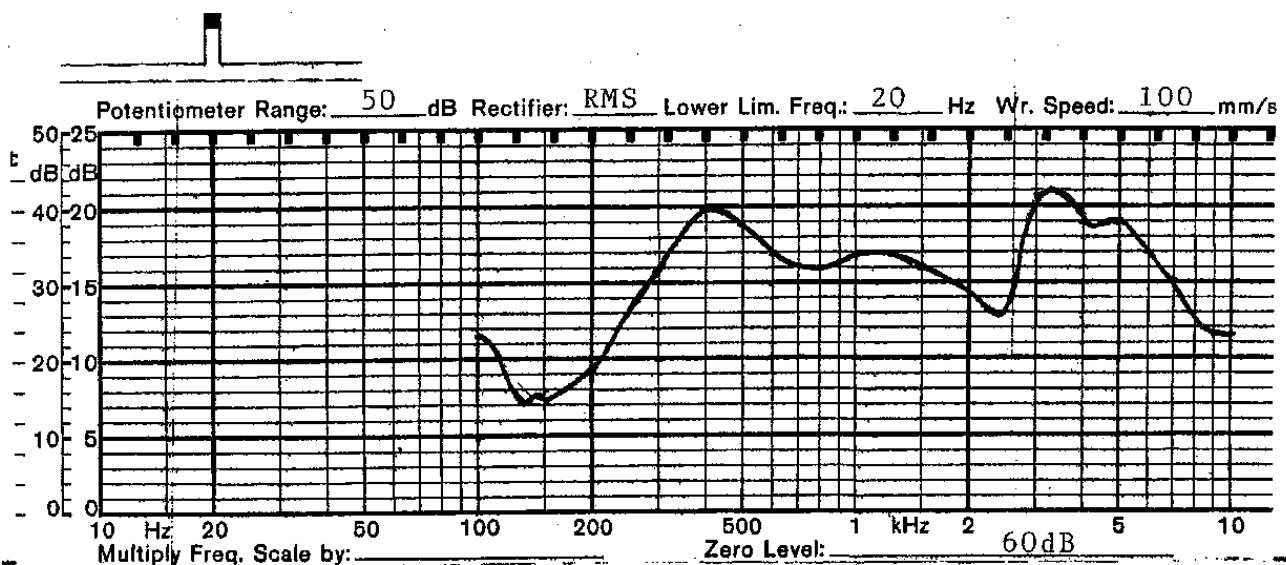


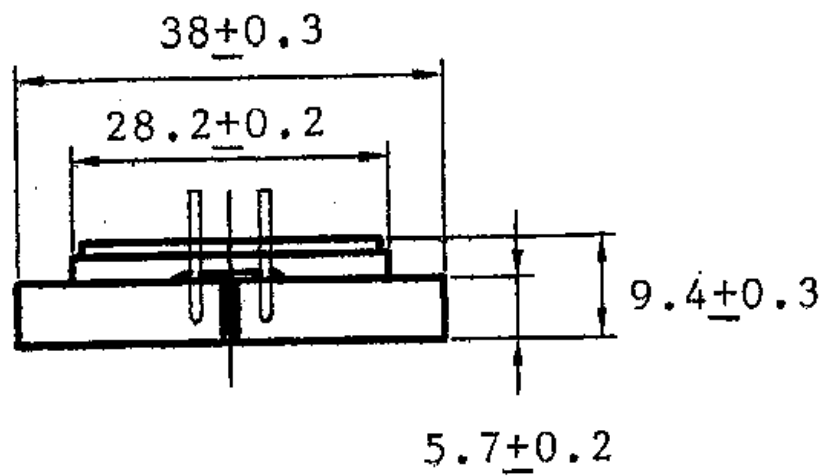
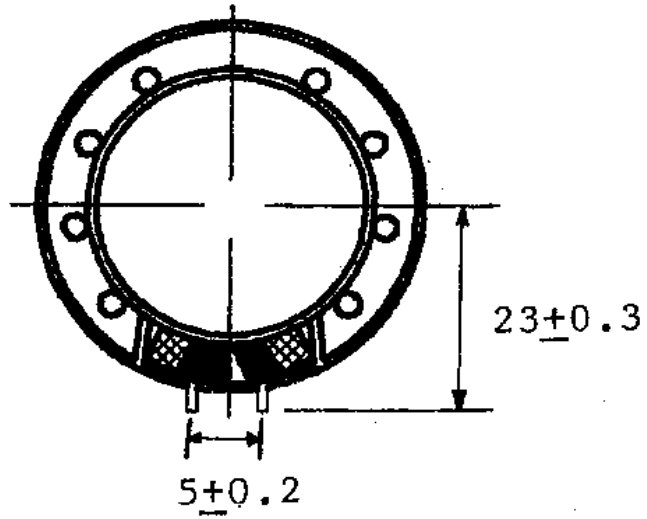
SHOGYO INTERNATIONAL CORP.

www.shogyo.com

SPEAKER SPECIFICATIONS

MODEL NO.	GF0381MP-1X (RoHS)					
1	NOMINAL SIZE	38 mm	inch			
2	IMPEDANCE	8 Ω ± 15%	at. 1K Hz		1 V	
3	RESONANCE FO	380 Hz ± 76 Hz	FO Hz		1 V	
4	S.P. LEVEL	93 dB/w ± 3 dB	0.1 W 5 cm average at			
5	FREQ. RESPONSE	Fo Hz ~ 10K Hz	MAX 10 dB	600, 800, 1K, 1.2K Hz		
6	INPUT POWER	Nominal Input 0.25 W	Handling Capacity 0.4 W			
7	OPERATION	Must be normal at program source 0.25 W				
8	BUZZ, RATTLE, ETC.	Must be normal at Sine Wave 1.41 V				
9	MAGNET	27 x 17 x 3 mm				
10	FLUX DENSITY	Gauss ± 10%	total flux max well within			
11	TOTAL WEIGHT	gr		oz		
12	LOAD TEST	After test meets Item 7 and 8	White noise 0.25 W 48 Hours			
13	DISTORTION					
14	HEAT TEST	After test meets Item 7 and 8	70 ± 2° C 20-50 % R.H. 48 Hours			
15	HUMIDITY TEST	After test meet Item 7 and 8	40 ± 2° C 90-95 % R.H. 48 Hours			





MODEL NO. GF0381MP-1X

APPROVED	CHECKED	DRAWING