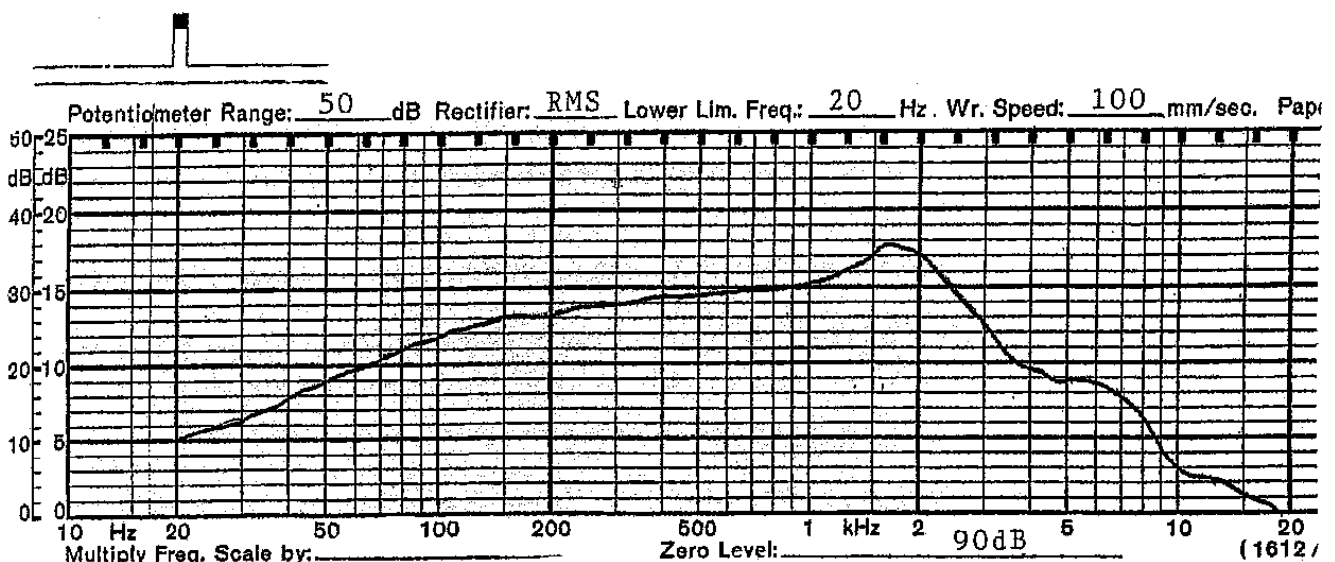


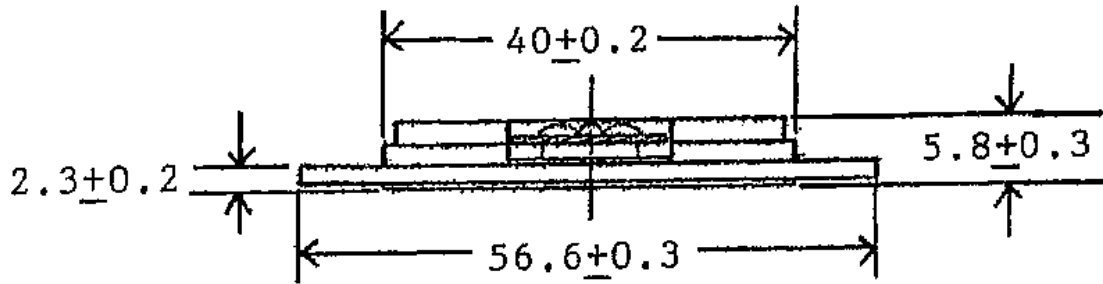
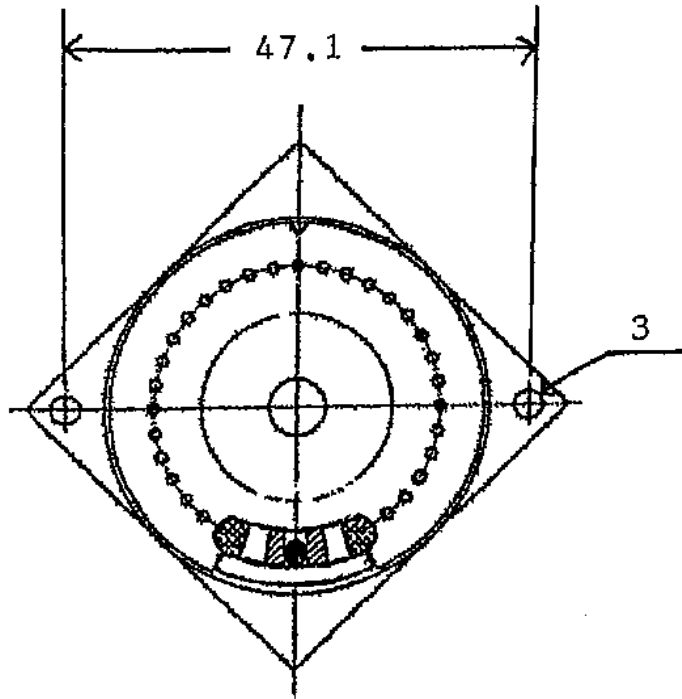
SHOGYO INTERNATIONAL CORP.

www.shogyo.com

SPEAKER SPECIFICATIONS

MODEL NO.	GF0401PX(RoHS)					
1	NOMINAL SIZE	40 mm	inch			
2	IMPEDANCE	8 Ω ± 15%	at. 1K Hz	1 V		
3	RESONANCE FO	Hz ± Hz	FO Hz	1 V		
4	S.P. LEVEL	119 dB/w ± 3 dB	0.1 W 1 cm average at 800, 1K, 1.2K, 1.5K Hz			
5	FREQ. RESPONSE	Fo Hz ~ 3.5K Hz				
6	INPUT POWER	Nominal Input 0.4 W	Handling Capacity 0.8 W			
7	OPERATION	Must be normal at program source 0.4 W				
8	BUZZ, RATTLE, ETC.	Must be normal at Sine Wave 1.78 V				
9	MAGNET	20 x 11 x 2 mm				
10	FLUX DENSITY	Gauss ± 10%	total flux max well within			
11	TOTAL WEIGHT		gr	oz		
12	LOAD TEST	After test meets Item 7 and 8	White noise 0.4 W 5 Hours			
13	DISTORTION					
14	HEAT TEST	After test meets Item 7 and 8	65 ± 2° C 20-50 % R.H. 5 Hours			
15	HUMIDITY TEST	After test meet Item 7 and 8	40 ± 2° C 90-95 % R.H. 5 Hours			





MODEL NO. GF0401PX

APPROVED	CHECKED	DRAWING