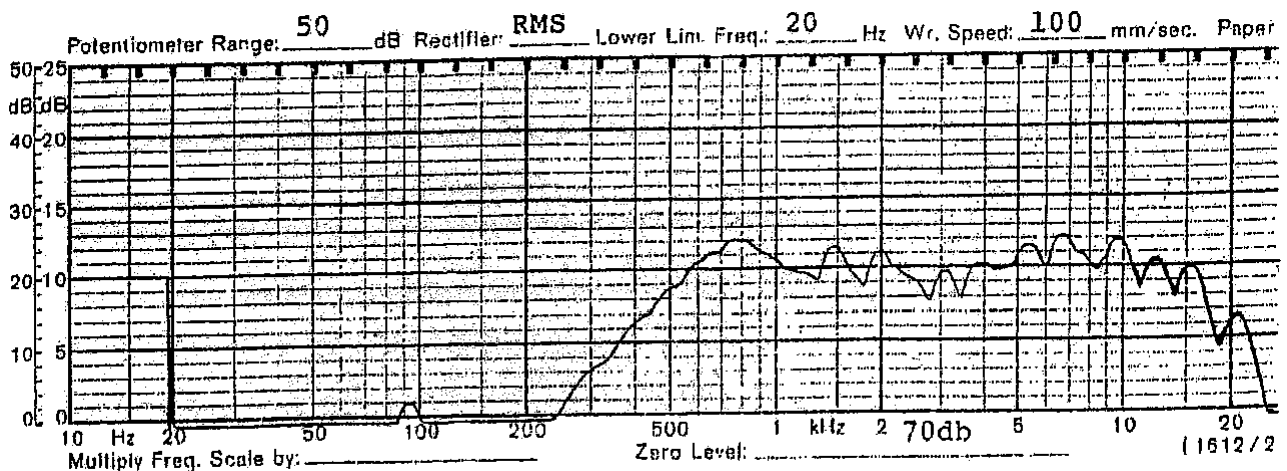


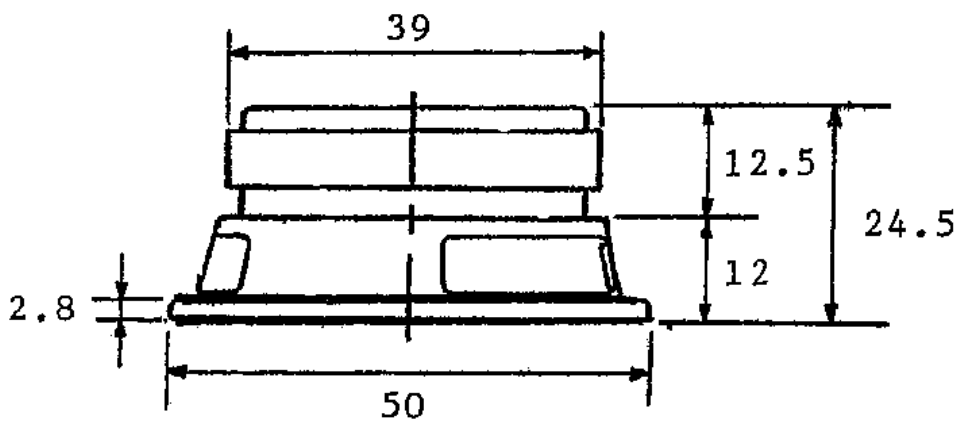
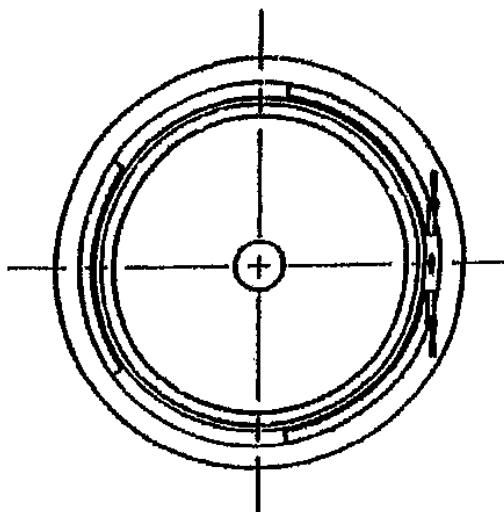
SHOGYO INTERNATIONAL CORP.

www.shogyo.com

SPEAKER SPECIFICATIONS

| | | | | | |
|-----------|-------------------------|--|---|-----------------------|-----|
| MODEL NO. | GF0502BMX (RoHS) | | | | |
| 1 | NOMINAL SIZE | 50 mm | 2 | inch | |
| 2 | IMPEDANCE | 8 Ω \pm 15% | at. | 800 Hz | 1 V |
| 3 | RESONANCE FO | 600 Hz \pm 120 Hz | FO | Hz | 1 V |
| 4 | S.P.L. LEVEL | 90 dB/w \pm 3 dB | 1 W 50 cm average at 1K, 1.4K, 1.7K, 2K Hz | | |
| 5 | FREQ. RESPONSE | Fo Hz ~ 18K Hz | | | |
| 6 | INPUT POWER | Nominal Input 4 W | Handling Capacity | 8 W | |
| 7 | OPERATION | Must be normal at program source 4 W | | | |
| 8 | BUZZ, RATTLE, ETC. | Must be normal at Sine Wave 5.6 V | | | |
| 9 | MAGNET | 39 x 22.5 x 7 mm | | | |
| 10 | FLUX DENSITY | Gauss \pm 10% total flux max well within | | | |
| 11 | DISTORTION | | | | |
| 12 | LOAD TEST | After test meet Item 7 and 8 | White noise | 4 W 24 Hours | |
| 13 | OPERATION TEMP. | | | | |
| 14 | HEAT TEST | After test meet Item 7 and 8 | $65 \pm 2^\circ$ C | 20-50 % R.H. 24 Hours | |
| 15 | HUMIDITY TEST | After test meet Item 7 and 8 | $40 \pm 2^\circ$ C | 90-95 % R.H. 24 Hours | |





TOLERANCE: ± 0.8 MM

| | | |
|---------------------|---------|---------|
| MODEL NO. GF0502BMX | | |
| APPROVED | CHECKED | DRAWING |
| | | |