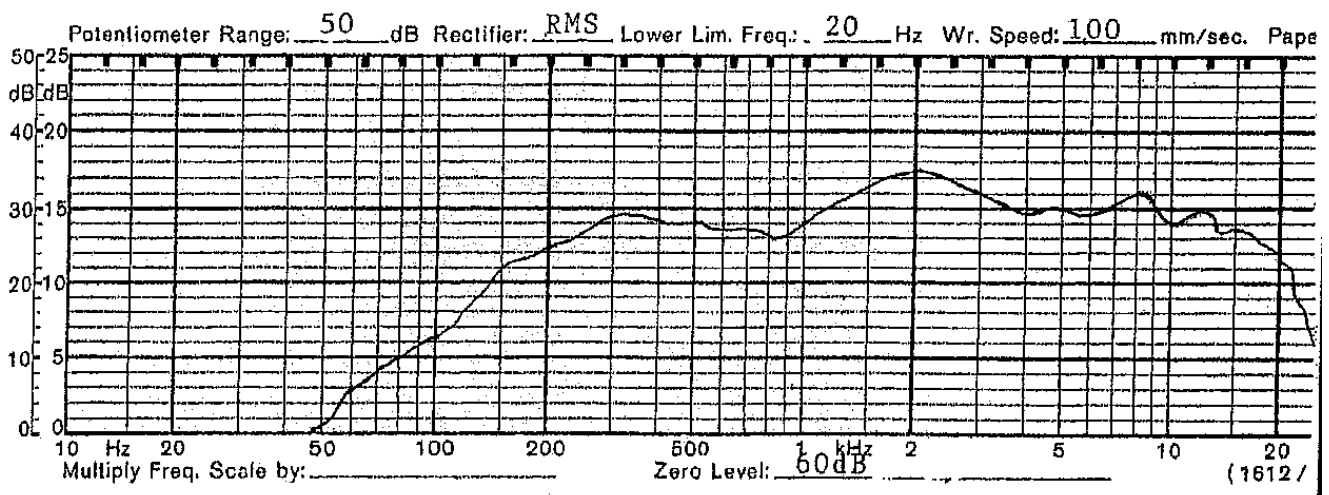


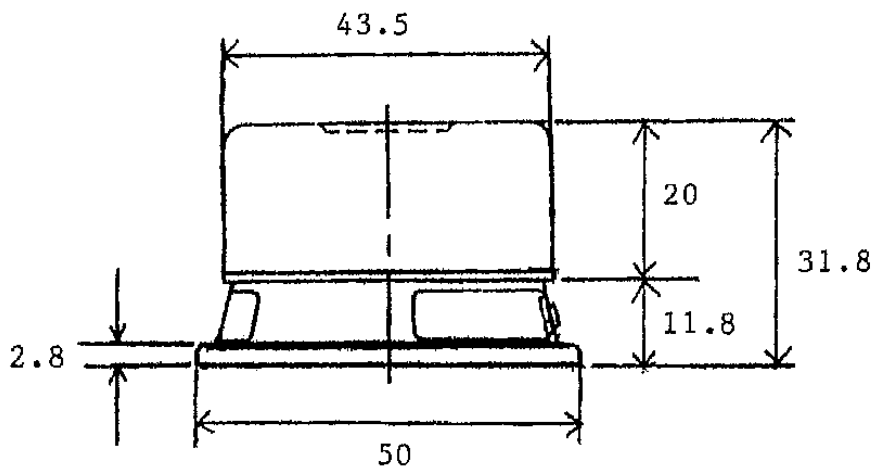
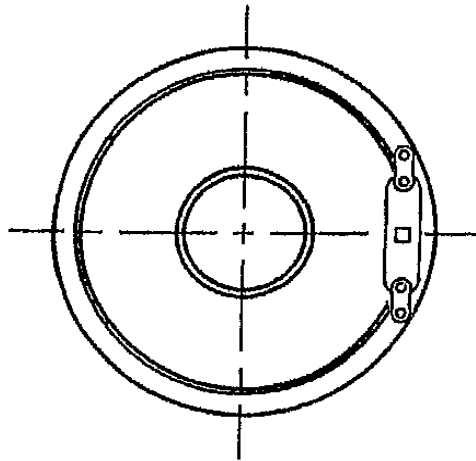
SHOGYO INTERNATIONAL CORP.

www.shogyo.com

SPEAKER SPECIFICATIONS

MODEL NO.	GF0502BTVX (RoHS)				
1	NOMINAL SIZE	50 mm	2 inch		
2	IMPEDANCE	8 Ω ± 15%	at. 1K Hz	1 V	
3	RESONANCE FO	260 Hz ± 52 Hz	FO Hz	1 V	
4	S.P.L. LEVEL	89 dB/w ± 3 dB	1 W 50 cm average at 500, 600, 800, 1K Hz		
5	FREQ. RESPONSE	Fo Hz ~ 20K Hz			
6	INPUT POWER	Nominal Input 3 W	Handling Capacity 5 W		
7	OPERATION	Must be normal at program source 3 W			
8	BUZZ, RATTLE, ETC.	Must be normal at Sine Wave 4.89 V			
9	MAGNET	39 x 22 x 7 mm 32 x 18 x 6 mm			
10	FLUX DENSITY	Gauss ± 10% total flux max well within			
11	DISTORTION				
12	LOAD TEST	After test meet Item 7 and 8 White noise 3 W 24 Hours			
13	OPERATION TEMP.				
14	HEAT TEST	After test meet Item 7 and 8 70 ± 2° C 20-50 % R.H. 24 Hours			
15	HUMIDITY TEST	After test meet Item 7 and 8 40 ± 2° C 90-95 % R.H. 24 Hours			





TOLERANCE: ± 0.8 MM

MODEL NO. GF0502BTVX

APPROVED	CHECKED	DRAWING