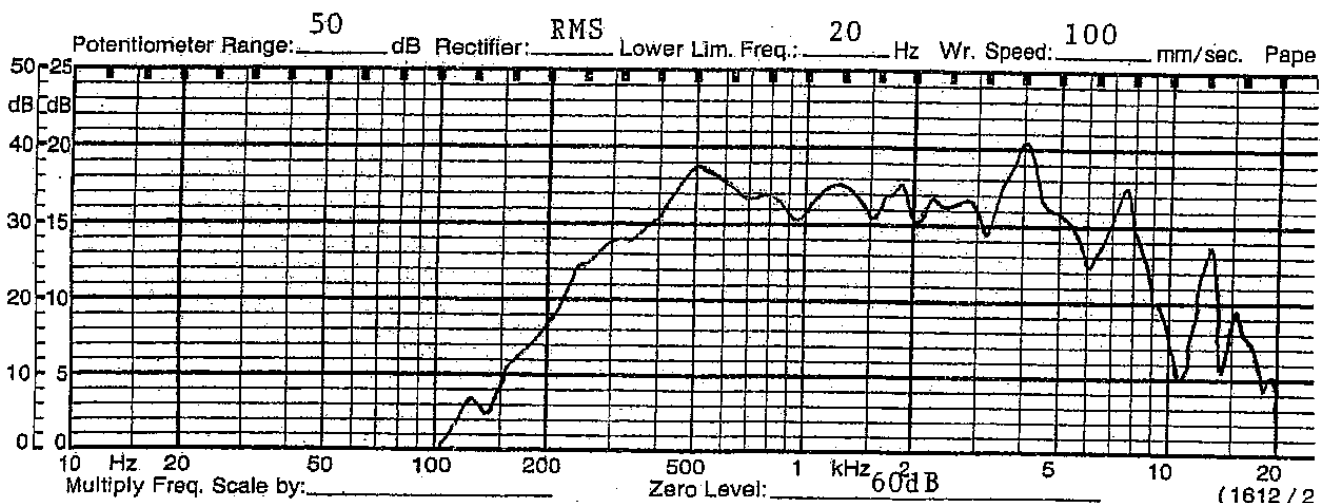


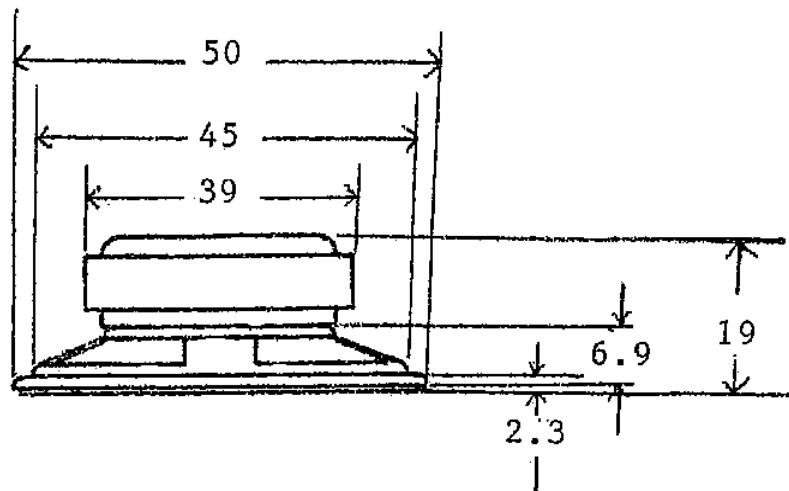
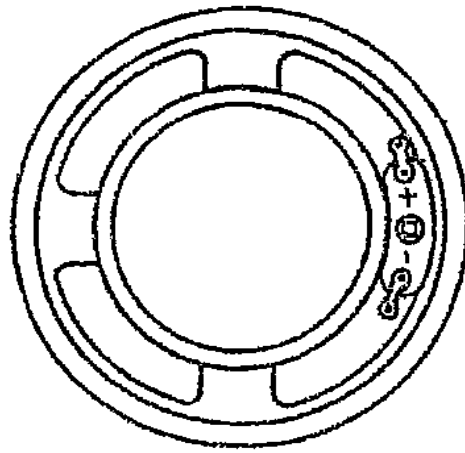
# SHOGYO INTERNATIONAL CORP.

www.shogyo.com

## SPEAKER SPECIFICATIONS

MODEL NO.	<b>GF0502MX (RoHS)</b>				
1	NOMINAL SIZE	<b>50 mm</b>	<b>2 inch</b>		
2	IMPEDANCE	<b>8 Ω ± 15%</b>	<b>at. 800 Hz</b>	<b>1 V</b>	
3	RESONANCE FO	<b>470 Hz ± 94 Hz</b>	<b>FO Hz</b>	<b>1 V</b>	
4	S.P.L. LEVEL	<b>92 dB/w ± 3 dB</b>	<b>1 W 50 cm average at</b>		
5	FREQ. RESPONSE	<b>Fo Hz ~ 9K Hz</b>	<b>MAX 10 dB</b>	<b>1K, 1.4K, 1.7K, 2K Hz</b>	
6	INPUT POWER	<b>Nominal Input 2 W</b>	<b>Handling Capacity 4 W</b>		
7	OPERATION	<b>Must be normal at program source 2 W</b>			
8	BUZZ, RATTLE, ETC.	<b>Must be normal at Sine Wave 4 V</b>			
9	MAGNET	<b>39 x 22.5 x 7 mm</b>			
10	FLUX DENSITY	<b>Gauss ± 10% total flux max well within</b>			
11	DISTORTION				
12	LOAD TEST	<b>After test meet Item 7 and 8</b>	<b>White noise 2 W 24 Hours</b>		
13	OPERATION TEMP.				
14	HEAT TEST	<b>After test meet Item 7 and 8</b>	<b>60 ± 2° C 20-50 % R.H. 24 Hours</b>		
15	HUMIDITY TEST	<b>After test meet Item 7 and 8</b>	<b>40 ± 2° C 90-95 % R.H. 24 Hours</b>		





TOLERANCE:  $\pm 0.5$  MM

MODEL NO. GF0502MX

APPROVED	CHECKED	DRAWING