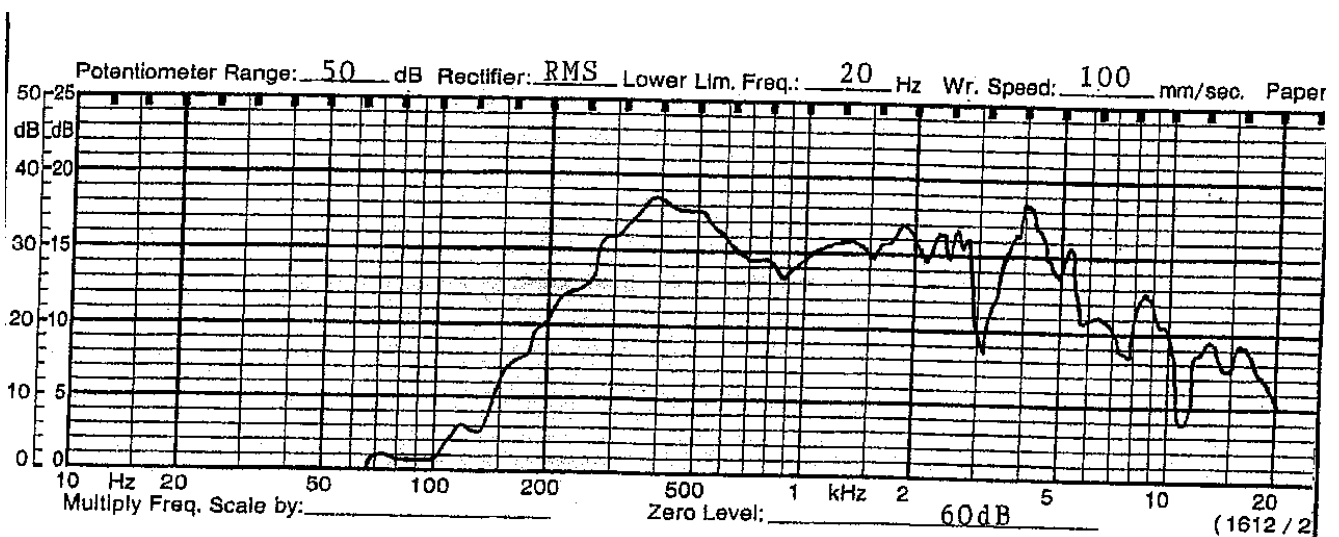


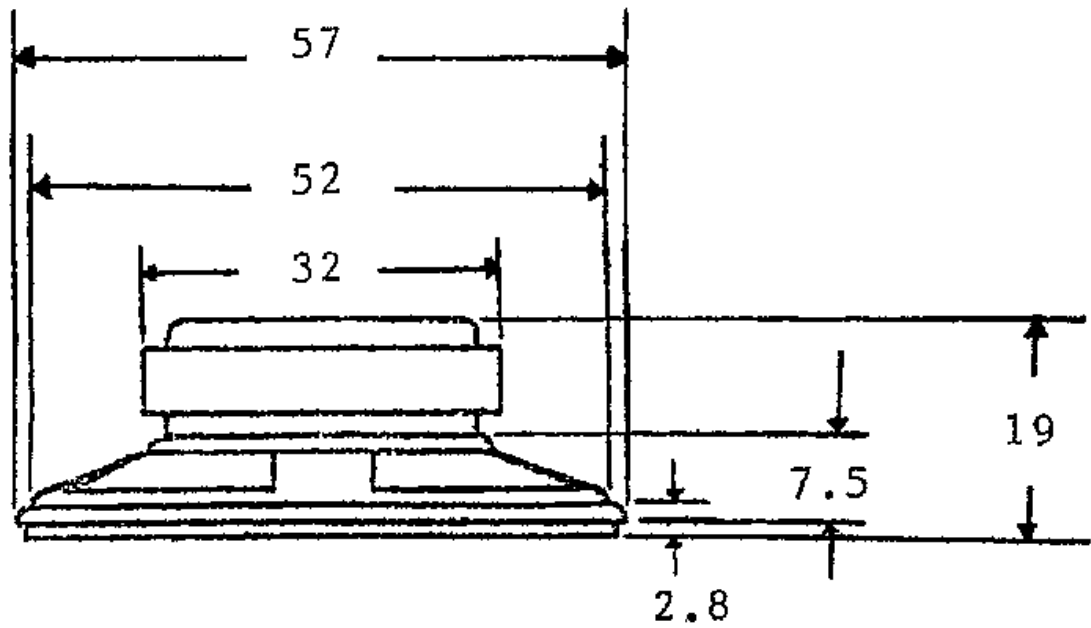
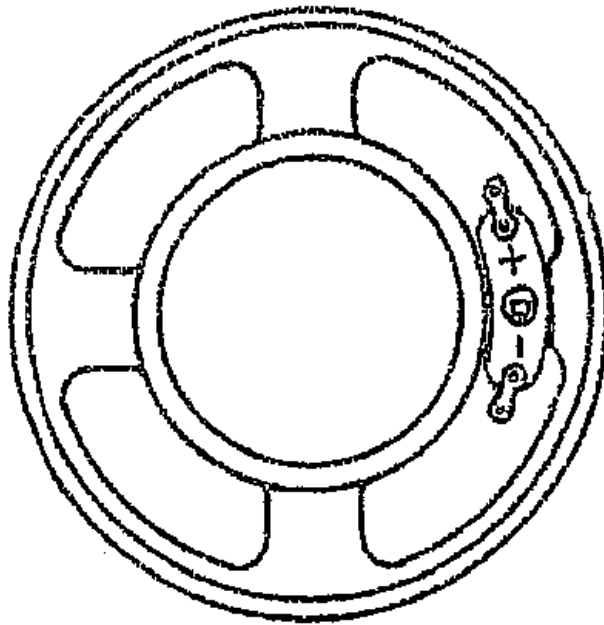
SHOGYO INTERNATIONAL CORP.

www.shogyo.com

SPEAKER SPECIFICATIONS

MODEL NO.	GF0571HX (RoHS)				
1	NOMINAL SIZE	57 mm	2-1/4	inch	
2	IMPEDANCE	8 Ω \pm 15%	at. 800	Hz	1 V
3	RESONANCE FO	500 Hz \pm 100 Hz	FO	Hz	1 V
4	S.P.L. LEVEL	79 dB/w \pm 3 dB	1 W 50 cm average at 1K, 1.4K, 1.7K, 2K Hz		
5	FREQ. RESPONSE	Fo Hz ~ 8.5K Hz			
6	INPUT POWER	Nominal Input 1 W	Handling Capacity 2 W		
7	OPERATION	Must be normal at program source 1 W			
8	BUZZ, RATTLE, ETC.	Must be normal at Sine Wave 2.83 V			
9	MAGNET	32 x 18 x 6 mm			
10	FLUX DENSITY	Gauss \pm 10% total flux max well within			
11	DISTORTION				
12	LOAD TEST	After test meet Item 7 and 8	White noise 1 W 24 Hours		
13	OPERATION TEMP.				
14	HEAT TEST	After test meet Item 7 and 8	70 \pm 2 $^{\circ}$ C 20-50 % R.H. 24 Hours		
15	HUMIDITY TEST	After test meet Item 7 and 8	40 \pm 2 $^{\circ}$ C 90-95 % R.H. 24 Hours		





TOLERANCE: $\pm 0.8\text{MM}$

MODEL NO. **GF0571HX**

APPROVED	CHECKED	DRAWING