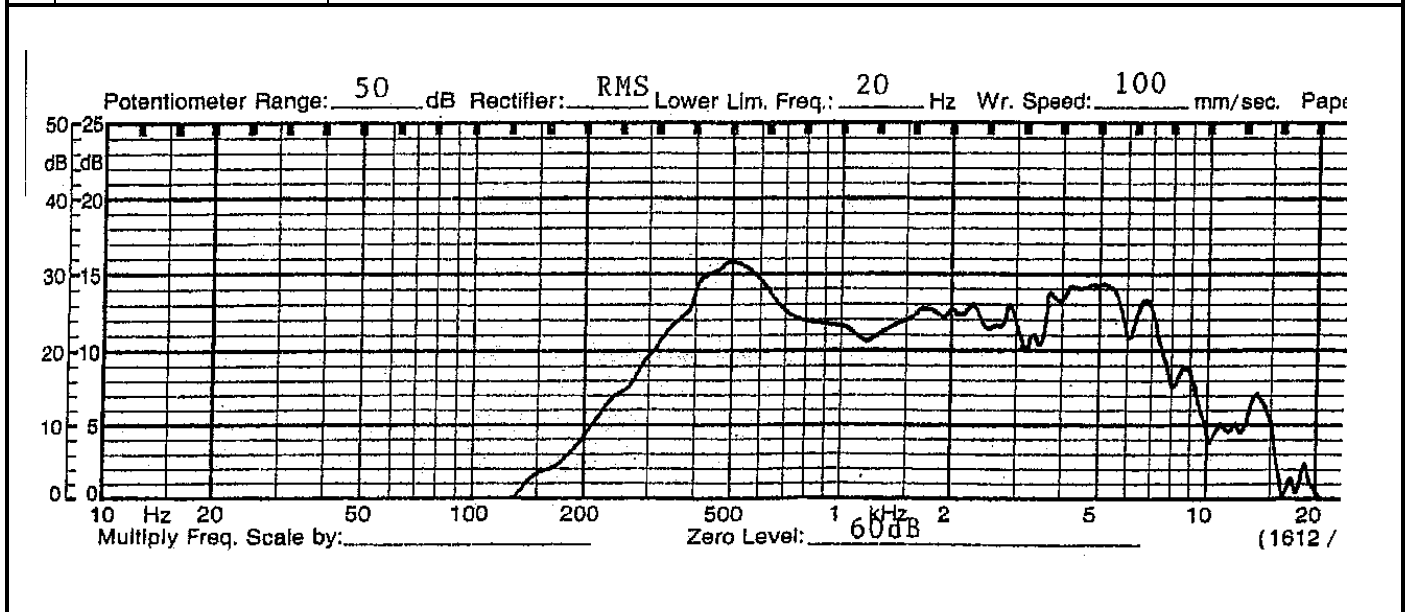


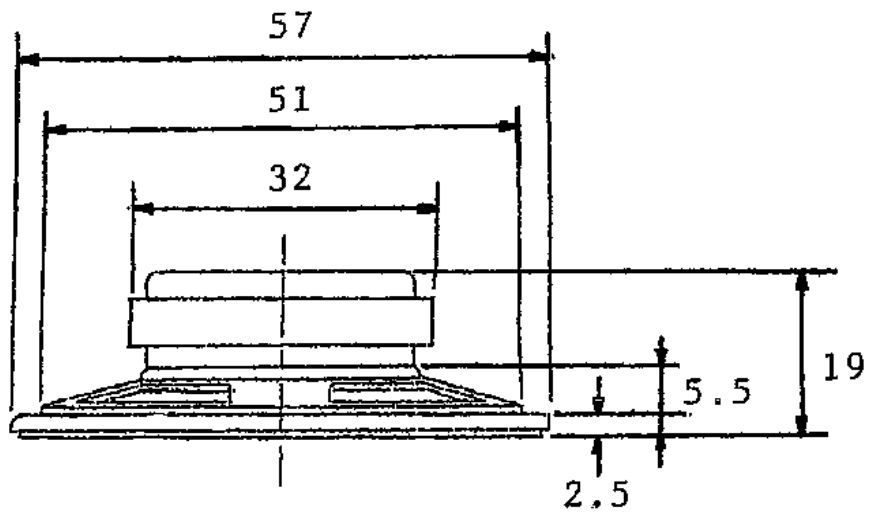
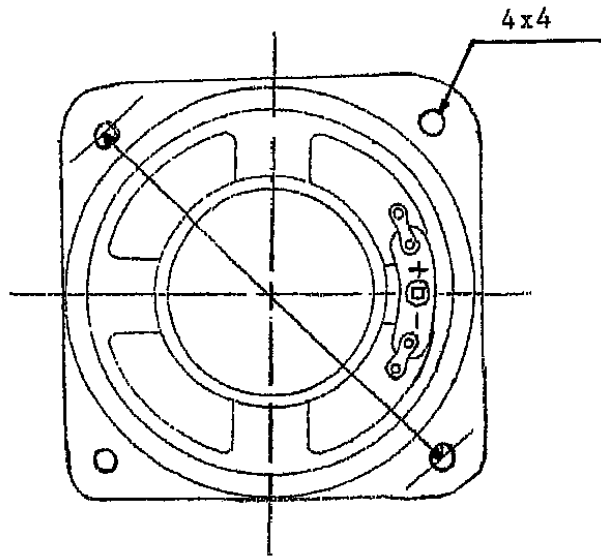
# SHOGYO INTERNATIONAL CORP.

www.shogyo.com

## SPEAKER SPECIFICATIONS

MODEL NO.	<b>GF0576MX (RoHS)</b>				
<b>1</b>	NOMINAL SIZE	<b>57 mm</b>	<b>inch</b>		
<b>2</b>	IMPEDANCE	<b>8 Ω ± 15%</b>	<b>at. 800 Hz</b>	<b>1 V</b>	
<b>3</b>	RESONANCE FO	<b>480 Hz ± 96 Hz</b>	<b>FO Hz</b>	<b>1 V</b>	
<b>4</b>	S.P. LEVEL	<b>85 dB/w ± 3 dB</b>	<b>0.3 W 50 cm average at</b> <b>1K, 1.4K, 1.7K, 2K Hz</b>		
<b>5</b>	FREQ. RESPONSE	<b>Fo Hz ~ 7K Hz</b>			
<b>6</b>	INPUT POWER	Nominal Input <b>0.25 W</b>	Handling Capacity <b>0.5 W</b>		
<b>7</b>	OPERATION	Must be normal at program source <b>0.25 W</b>			
<b>8</b>	BUZZ, RATTLE, ETC.	Must be normal at Sine Wave <b>1.41 V</b>			
<b>9</b>	MAGNET	<b>32 x 18 x 6 mm</b>			
<b>10</b>	FLUX DENSITY	<b>Gauss ± 10%</b>	<b>total flux max well within</b>		
<b>11</b>	TOTAL WEIGHT	gr	oz		
<b>12</b>	LOAD TEST	After test meets Item 7 and 8	White noise <b>0.25 W 24 Hours</b>		
<b>13</b>	DISTORTION				
<b>14</b>	HEAT TEST	After test meets Item 7 and 8	<b>60 ± 2° C 20-50 % R.H. 24 Hours</b>		
<b>15</b>	HUMIDITY TEST	After test meet Item 7 and 8	<b>40 ± 2° C 90-95 % R.H. 24 Hours</b>		





TOLERANCE:  $\pm 0.8$  MM

MODEL NO. GF0576MX

APPROVED	CHECKED	DRAWING