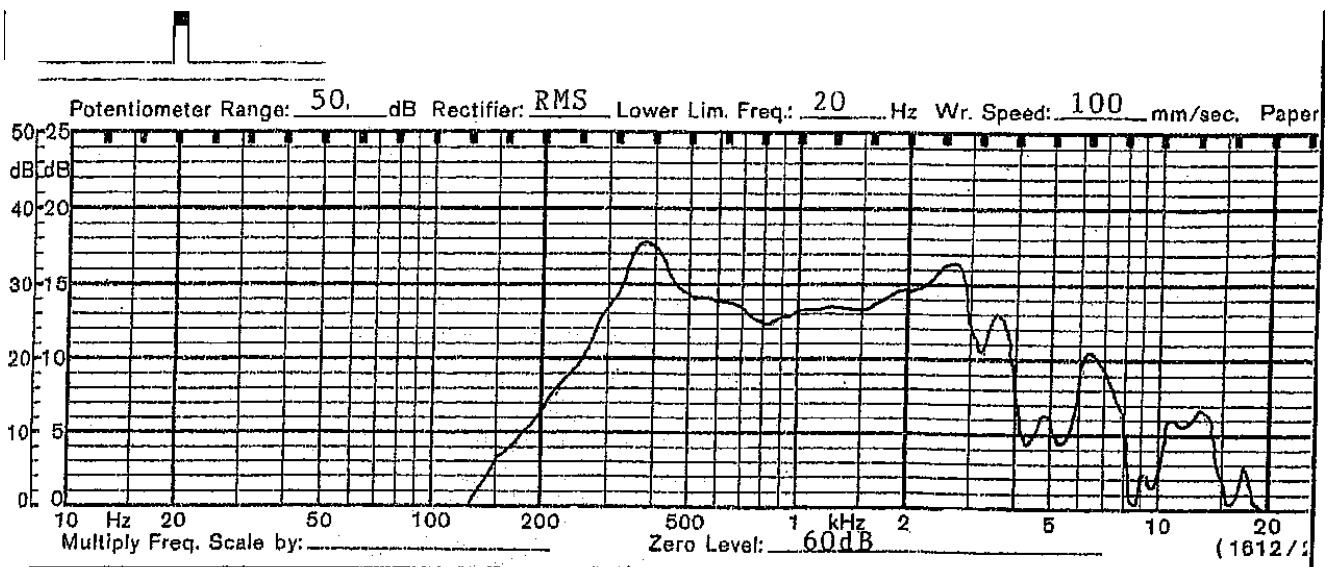


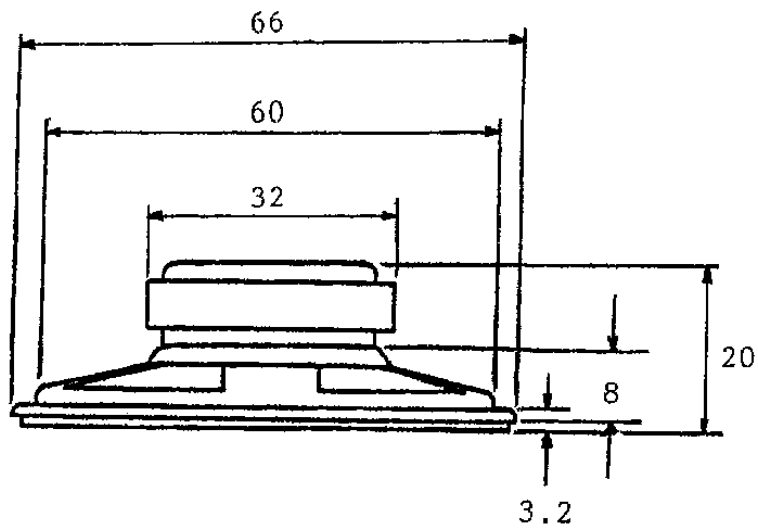
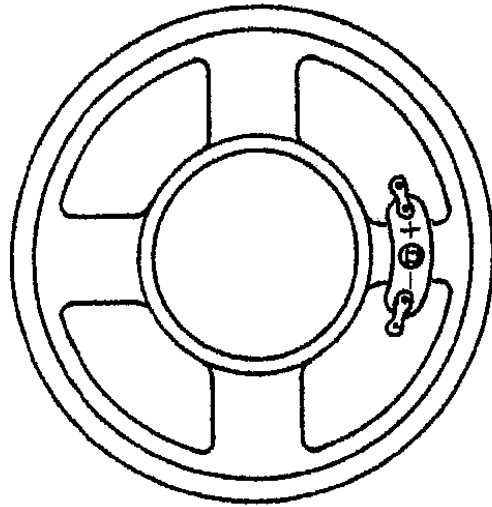
# SHOGYO INTERNATIONAL CORP.

www.shogyo.com

## SPEAKER SPECIFICATIONS

MODEL NO.	<b>GF0661X (RoHS)</b>					
1	NOMINAL SIZE	66 mm	2-1/2	inch		
2	IMPEDANCE	8 $\Omega$ $\pm$ 15%	at. 800 Hz	1 V		
3	RESONANCE FO	500 Hz $\pm$ 100 Hz	FO Hz	1 V		
4	S.P.L. LEVEL	87 dB/w $\pm$ 3 dB	0.5 W 50 cm average at 1K, 1.4K, 1.7K, 2K Hz			
5	FREQ. RESPONSE	Fo Hz ~ 4K Hz				
6	INPUT POWER	Nominal Input 0.5 W	Handling Capacity 1 W			
7	OPERATION	Must be normal at program source 0.5 W				
8	BUZZ, RATTLE, ETC.	Must be normal at Sine Wave 2 V				
9	MAGNET	32 x 18 x 6 mm				
10	FLUX DENSITY	Gauss $\pm$ 10% total flux max well within				
11	DISTORTION					
12	LOAD TEST	After test meet Item 7 and 8	White noise 0.5 W 24 Hours			
13	OPERATION TEMP.					
14	HEAT TEST	After test meet Item 7 and 8	65 $\pm$ 2° C 20-50 % R.H. 24 Hours			
15	HUMIDITY TEST	After test meet Item 7 and 8	40 $\pm$ 2° C 90-95 % R.H. 24 Hours			





**TOLERANCE:  $\pm 0.8\text{MM}$**

<b>MODEL NO. GF0661X</b>		
APPROVED	CHECKED	DRAWING