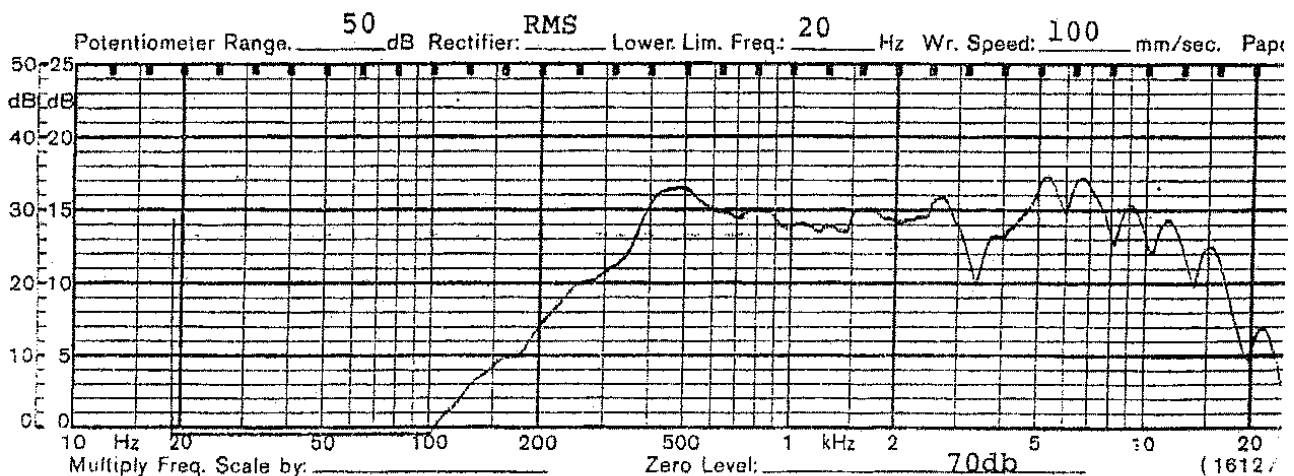


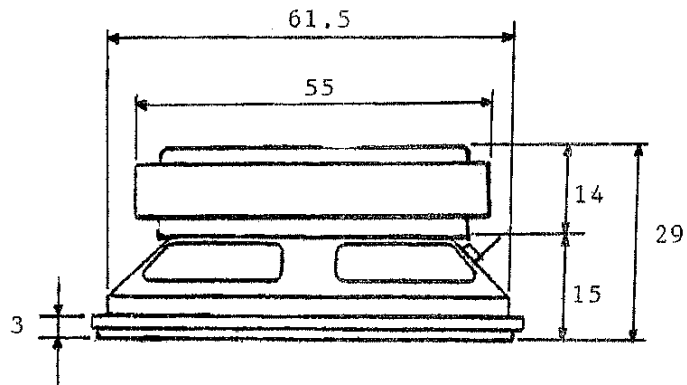
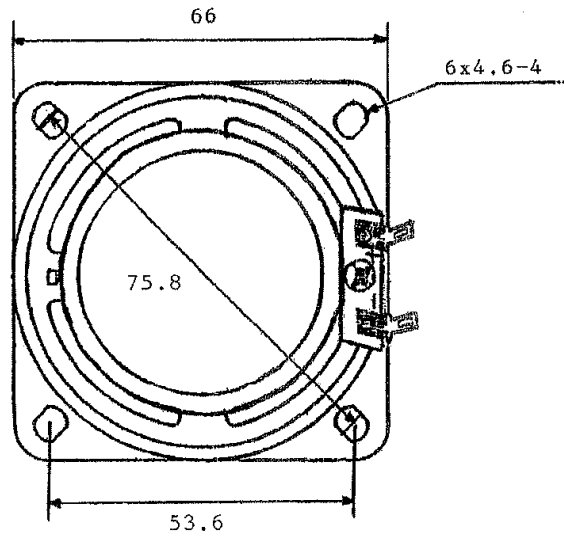
SHOGYO INTERNATIONAL CORP.

www.shogyo.com

SPEAKER SPECIFICATIONS

MODEL NO.	GF0669BMX (RoHS)				
1	NOMINAL SIZE	66 mm	2-1/2 inch		
2	IMPEDANCE	8 Ω ± 15%	at. 800 Hz	1 V	
3	RESONANCE FO	420 Hz ± 84 Hz	FO Hz	1 V	
4	S.P.L. LEVEL	98 dB/w ± 3 dB	1 W 50 cm average at		
5	FREQ. RESPONSE	Fo Hz ~ 18K Hz	MAX 10 dB	1K, 1.4K, 1.7K, 2K Hz	
6	INPUT POWER	Nominal Input 4 W	Handling Capacity 8 W		
7	OPERATION	Must be normal at program source 4 W			
8	BUZZ, RATTLE, ETC.	Must be normal at Sine Wave 5.65 V			
9	MAGNET	55 x 26 x 8 mm			
10	FLUX DENSITY	Gauss ± 10% total flux max well within			
11	DISTORTION				
12	LOAD TEST	After test meet Item 7 and 8	White noise 4 W 24 Hours		
13	OPERATION TEMP.				
14	HEAT TEST	After test meet Item 7 and 8	70 ± 2° C 20-50 % R.H. 24 Hours		
15	HUMIDITY TEST	After test meet Item 7 and 8	40 ± 2° C 90-95 % R.H. 24 Hours		





TOLERANCE: ± 0.5 MM

MODEL NO. GF0669BMX

APPROVED	CHECKED	DRAWING