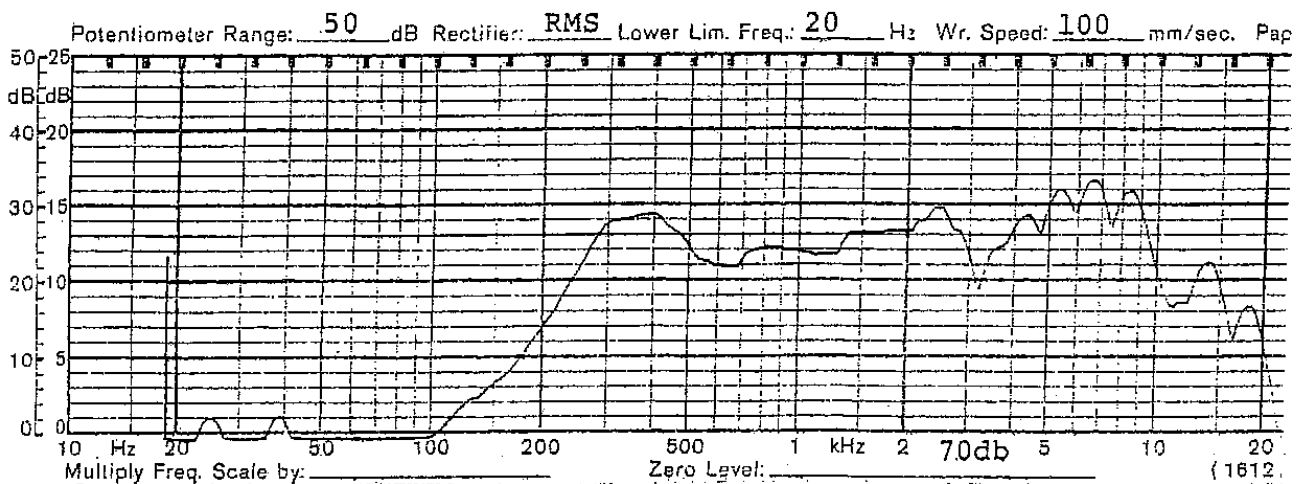


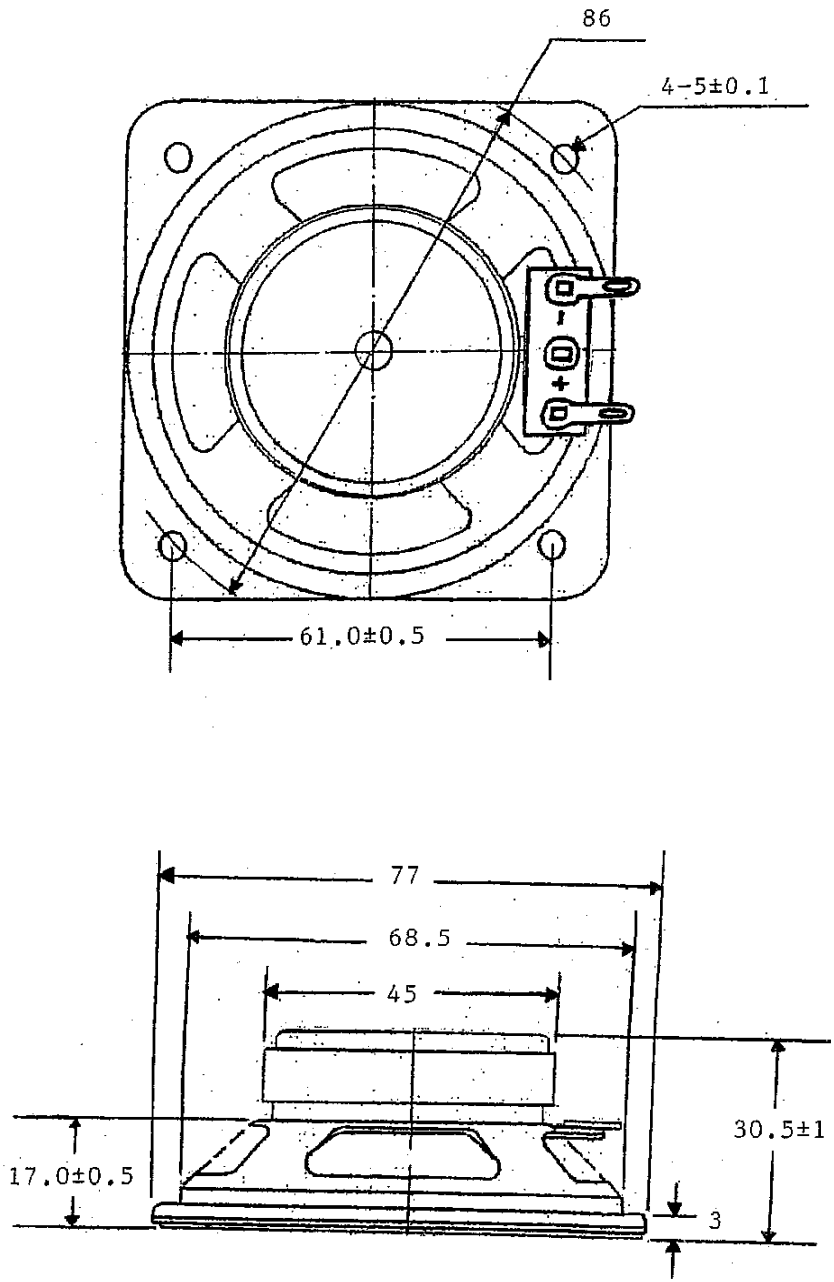
SHOGYO INTERNATIONAL CORP.

www.shogyo.com

SPEAKER SPECIFICATIONS

MODEL NO.	GF0778BMX (RoHS)				
1	NOMINAL SIZE	77 mm	3	inch	
2	IMPEDANCE	4 Ω ± 15%	at. 800 Hz	1 V	
3	RESONANCE FO	320 Hz ± 64 Hz	FO Hz	1 V	
4	S.P. LEVEL	94 dB/w ± 3 dB	1 W 50 cm average at		
5	FREQ. RESPONSE	Fo Hz ~ 17K Hz	MAX 10 dB	700, 900, 1.2K, 1.4K Hz	
6	INPUT POWER	Nominal Input 3 W	Handling Capacity 5 W		
7	OPERATION	Must be normal at program source 3 W			
8	BUZZ, RATTLE, ETC.	Must be normal at Sine Wave 3.46 V			
9	MAGNET	45x22x8mm			
10	FLUX DENSITY	Gauss ± 10%	total flux max well within		
11	TOTAL WEIGHT	gr	oz		
12	LOAD TEST	After test meets Item 7 and 8	White noise 3 W 24 Hours		
13	DISTORTION				
14	HEAT TEST	After test meets Item 7 and 8	70 ± 2° C 20-50 % R.H. 24 Hours		
15	HUMIDITY TEST	After test meet Item 7 and 8	40 ± 2° C 90-95 % R.H. 24 Hours		





TOLERANCE: ± 0.5 MM

MODEL NO. GF0778BMX		
APPROVED	CHECKED	DRAWING