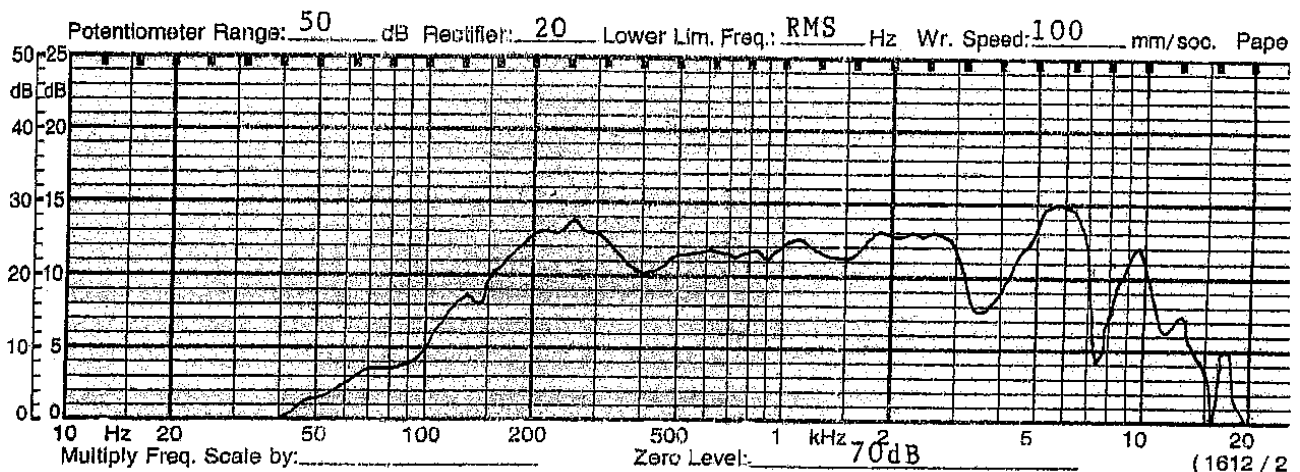


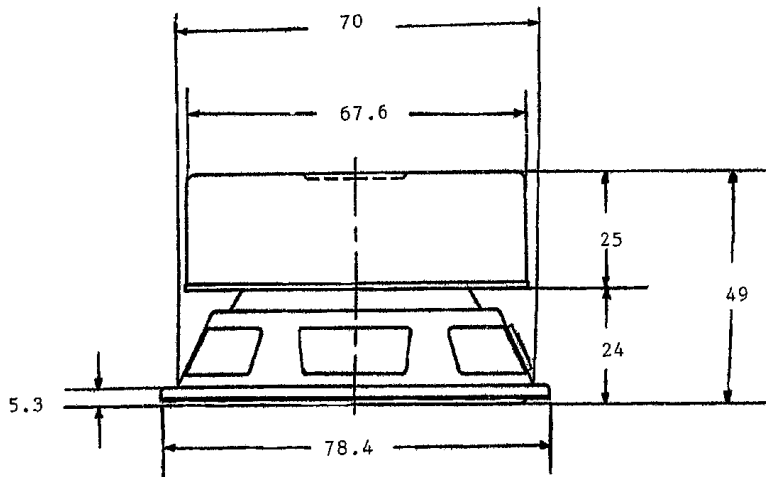
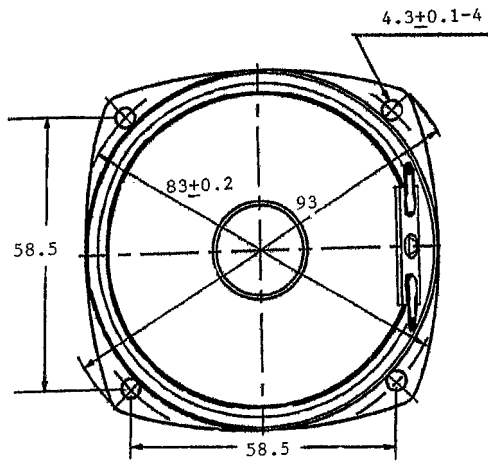
SHOGYO INTERNATIONAL CORP.

www.shogyo.com

SPEAKER SPECIFICATIONS

MODEL NO.	GF0779TVX (RoHS)				
1	NOMINAL SIZE	77 mm	3 inch		
2	IMPEDANCE	8 Ω ± 15%	at. 800 Hz	1 V	
3	RESONANCE FO	150 Hz ± 30 Hz	FO Hz	1 V	
4	S.P. LEVEL	94 dB/w ± 3 dB	1 W 50 cm average at 1K, 1.4K, 1.7K, 2K Hz		
5	FREQ. RESPONSE	Fo Hz ~ 18K Hz			
6	INPUT POWER	Nominal Input 6 W	Handling Capacity 10 W		
7	OPERATION	Must be normal at program source 6 W			
8	BUZZ, RATTLE, ETC.	Must be normal at Sine Wave 6.92 V			
9	MAGNET	60 x 32 x 8 mm 45 x 22 x 8 mm			
10	FLUX DENSITY	Gauss ± 10%	total flux max well within		
11	TOTAL WEIGHT	gr	oz		
12	LOAD TEST	After test meets Item 7 and 8	White noise 6 W 24 Hours		
13	DISTORTION				
14	HEAT TEST	After test meets Item 7 and 8	60 ± 2° C 20-50 % R.H. 24 Hours		
15	HUMIDITY TEST	After test meet Item 7 and 8	40 ± 2° C 90-95 % R.H. 24 Hours		





TOLERANCE: ± 0.8 MM

MODEL NO. GF0779TVX

APPROVED	CHECKED	DRAWING

SHOGYO INTERNATIONAL CORP.