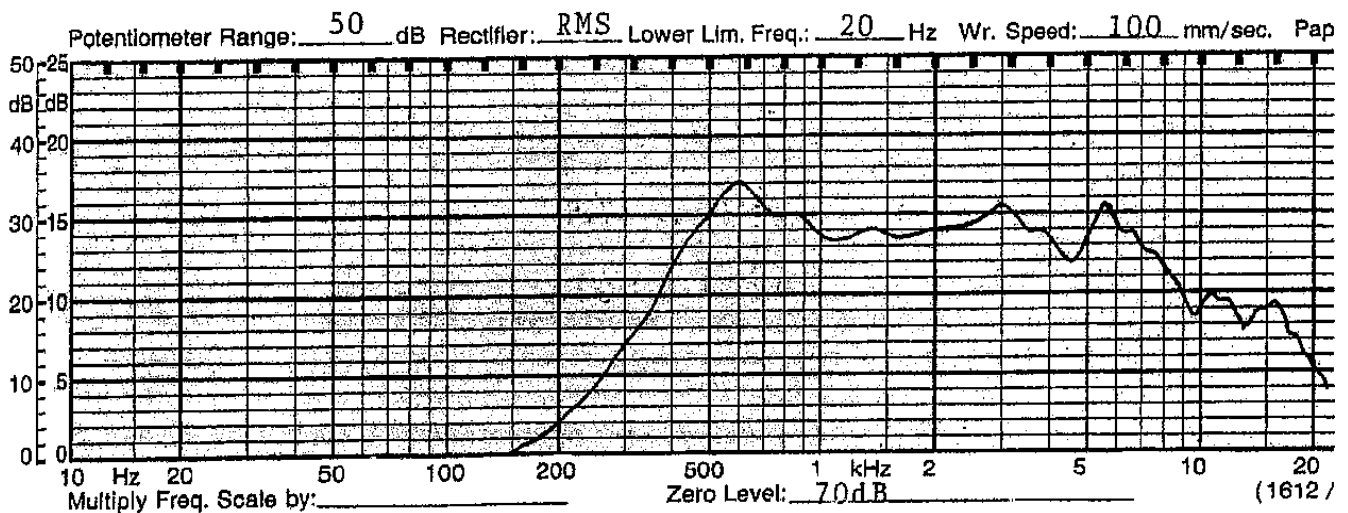


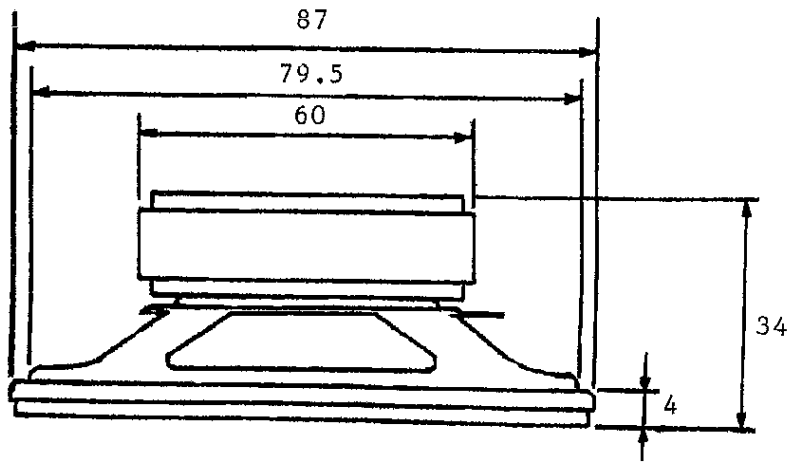
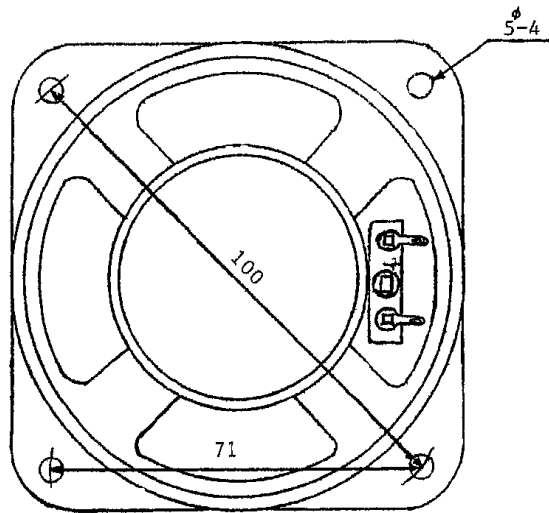
SHOGYO INTERNATIONAL CORP.

www.shogyo.com

SPEAKER SPECIFICATIONS

MODEL NO.	GF0876MX (RoHS)				
1	NOMINAL SIZE	87 mm	3-1/4 inch		
2	IMPEDANCE	8 Ω ± 15%	at. 800 Hz	1 V	
3	RESONANCE FO	580 Hz ± 116 Hz	FO Hz	1 V	
4	S.P. LEVEL	97 dB/w ± 3 dB	1 W 50 cm average at 1K, 1.3K, 1.5K, 2K Hz		
5	FREQ. RESPONSE	Fo Hz ~ 15K Hz			
6	INPUT POWER	Nominal Input 12 W	Handling Capacity 15 W		
7	OPERATION	Must be normal at program source 12 W			
8	BUZZ, RATTLE, ETC.	Must be normal at Sine Wave 9.8 V			
9	MAGNET	60 x 22 x 8 mm			
10	FLUX DENSITY	Gauss ± 10%	total flux max well within		
11	TOTAL WEIGHT	gr	oz		
12	LOAD TEST	After test meets Item 7 and 8	White noise 12 W 24 Hours		
13	DISTORTION				
14	HEAT TEST	After test meets Item 7 and 8	60 ± 2° C 20-50 % R.H. 24 Hours		
15	HUMIDITY TEST	After test meet Item 7 and 8	40 ± 2° C 90-95 % R.H. 24 Hours		





TOLERANCE: ± 0.8 MM

MODEL NO. GF0876MX

APPROVED	CHECKED	DRAWING