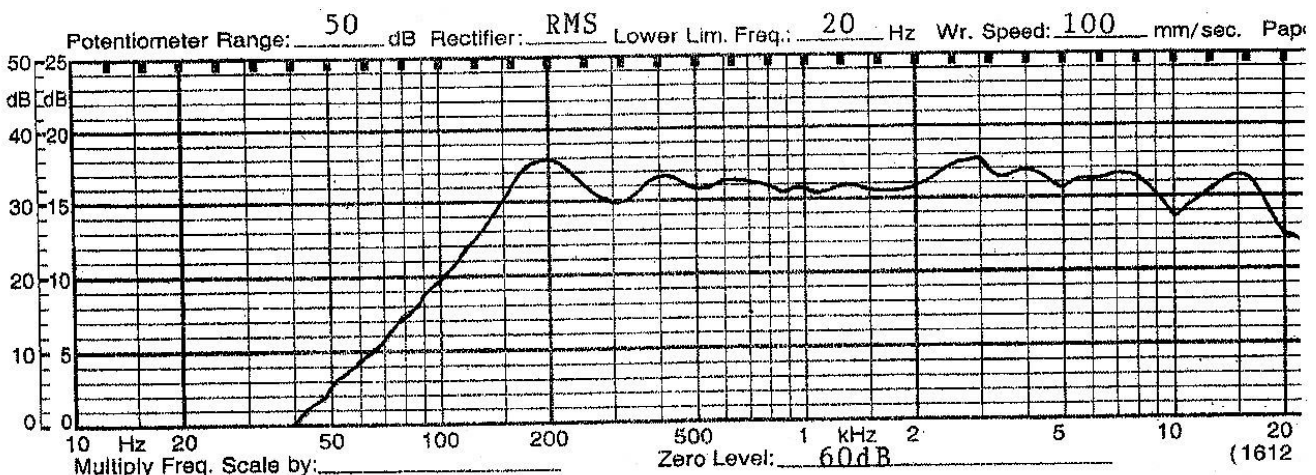


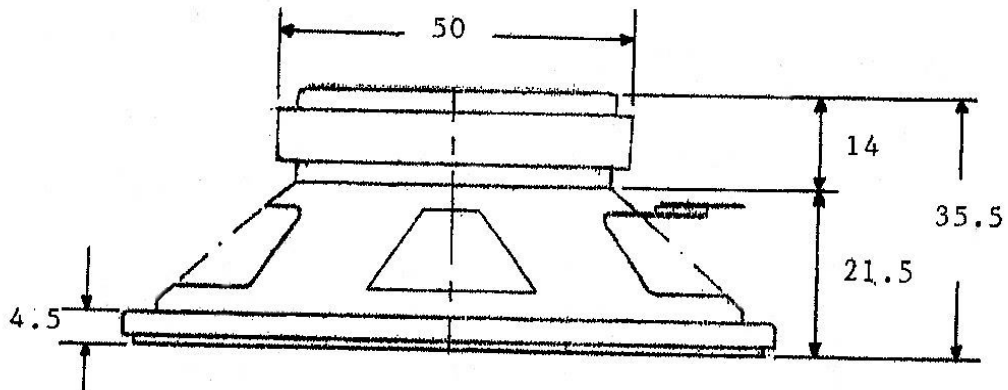
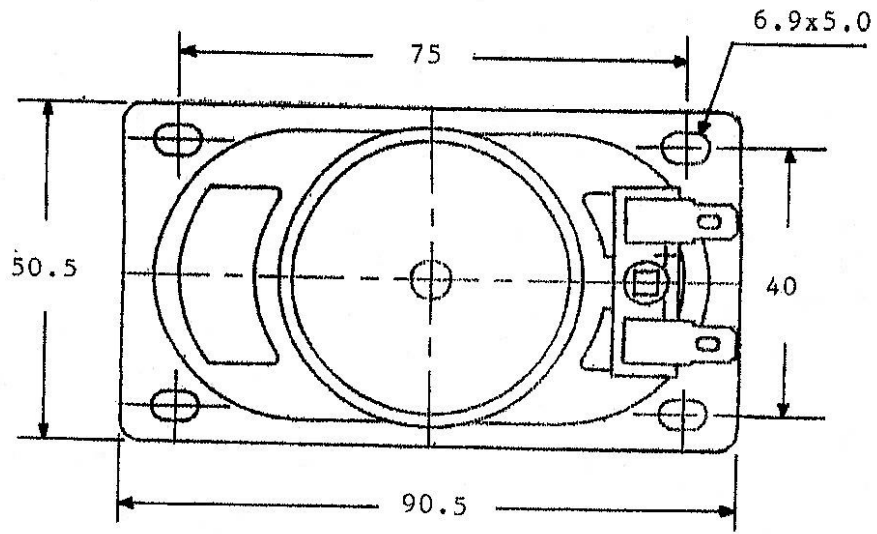
SHOGYO INTERNATIONAL CORP.

www.shogyo.com

SPEAKER SPECIFICATIONS

MODEL NO.	GF0902-2X (RoHS)				
1	NOMINAL SIZE	50 x 90 mm	2 x 3-1/2	inch	
2	IMPEDANCE	8 Ω ± 15%	at. 1K Hz	1 V	
3	RESONANCE FO	210 Hz ± 42 Hz	FO Hz	1 V	
4	S.P. LEVEL	92 dB/w ± 3 dB	1 W 50 cm average at 300, 400, 500, 600 Hz		
5	FREQ. RESPONSE	Fo Hz ~ 20K Hz			
6	INPUT POWER	Nominal Input 5 W	Handling Capacity 7 W		
7	OPERATION	Must be normal at program source 5 W			
8	BUZZ, RATTLE, ETC.	Must be normal at Sine Wave 6.32 V			
9	MAGNET	FERRITE 50 x 22 x 8 mm			
10	FLUX DENSITY	Gauss ± 10%	total flux max well within		
11	TOTAL WEIGHT	gr	oz		
12	LOAD TEST	After test meets Item 7 and 8	White noise 5 W 24 Hours		
13	DISTORTION				
14	HEAT TEST	After test meets Item 7 and 8	70 ± 2° C 20-50 % R.H. 24 Hours		
15	HUMIDITY TEST	After test meet Item 7 and 8	40 ± 2° C 90-95 % R.H. 24 Hours		





TOLERANCE: ± 0.8 MM

MODEL NO.

GF0902-2X

APPROVED

CHECKED

DRAWING