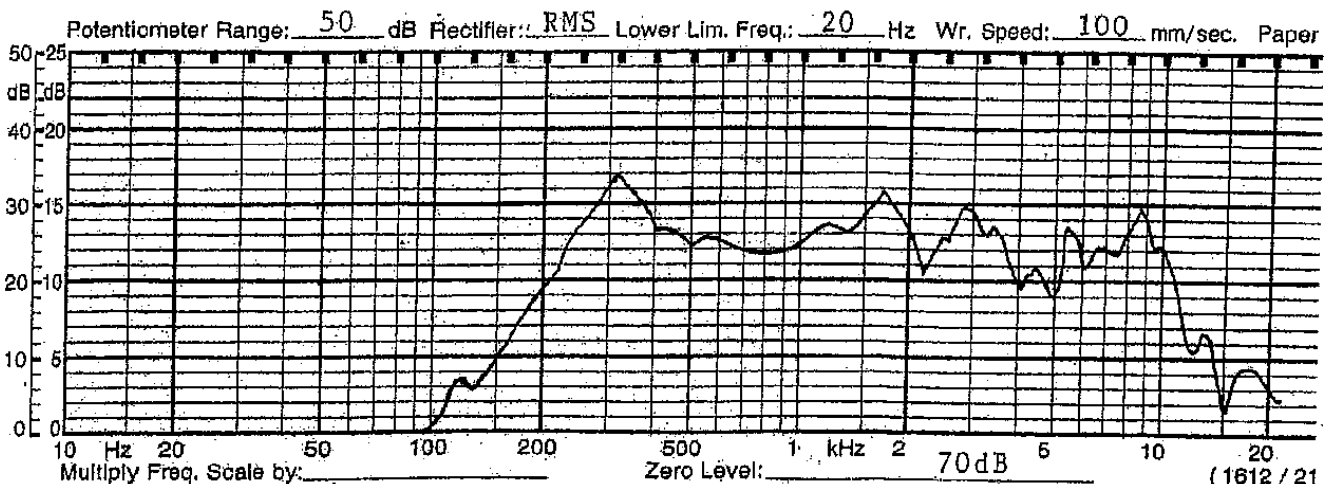


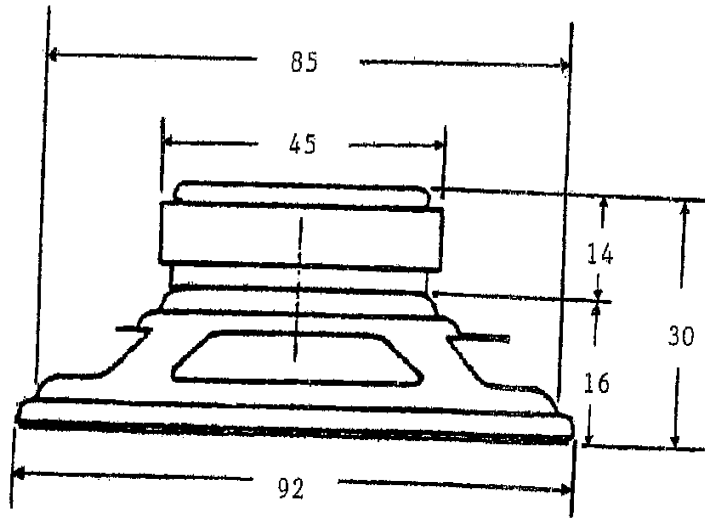
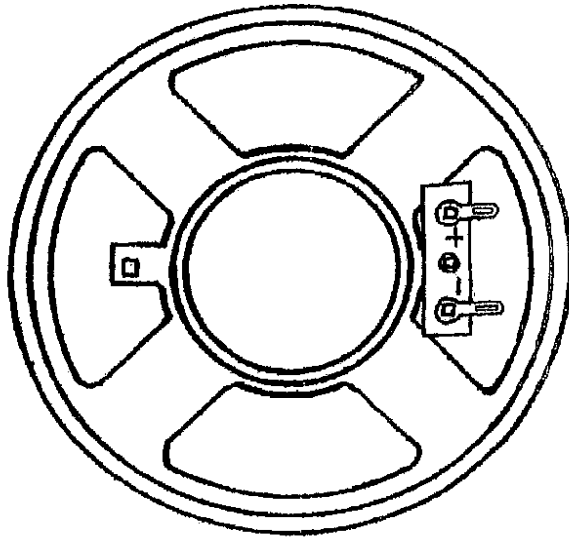
# SHOGYO INTERNATIONAL CORP.

www.shogyo.com

## SPEAKER SPECIFICATIONS

MODEL NO.		GF0923BM-1X (RoHS)				
1	NOMINAL SIZE	92 mm	3-1/2 inch			
2	IMPEDANCE	8 $\Omega$ $\pm$ 15%	at. 800 Hz	1 V		
3	RESONANCE FO	300 Hz $\pm$ 60 Hz	FO Hz	1 V		
4	S.P.L. LEVEL	97 dB/w $\pm$ 3 dB	1 W 50 cm average at			
5	FREQ. RESPONSE	Fo Hz ~ 10K Hz	MAX 10 dB	1K, 1.4K, 1.7K, 2K Hz		
6	INPUT POWER	Nominal Input 8 W	Handling Capacity 12 W			
7	OPERATION	Must be normal at program source 8 W				
8	BUZZ, RATTLE, ETC.	Must be normal at Sine Wave 8 V				
9	MAGNET	45 x 22 x 8 mm				
10	FLUX DENSITY	Gauss $\pm$ 10%	total flux max well within			
11	DISTORTION					
12	LOAD TEST	After test meet Item 7 and 8	White noise 8 W 24 Hours			
13	OPERATION TEMP.					
14	HEAT TEST	After test meet Item 7 and 8	60 $\pm$ 2 $^{\circ}$ C 20-50 % R.H. 24 Hours			
15	HUMIDITY TEST	After test meet Item 7 and 8	40 $\pm$ 2 $^{\circ}$ C 90-95 % R.H. 24 Hours			





**TOLERANCE:  $\pm 1$  MM**

**MODEL NO. GF0923BM-1X**

APPROVED	CHECKED	DRAWING