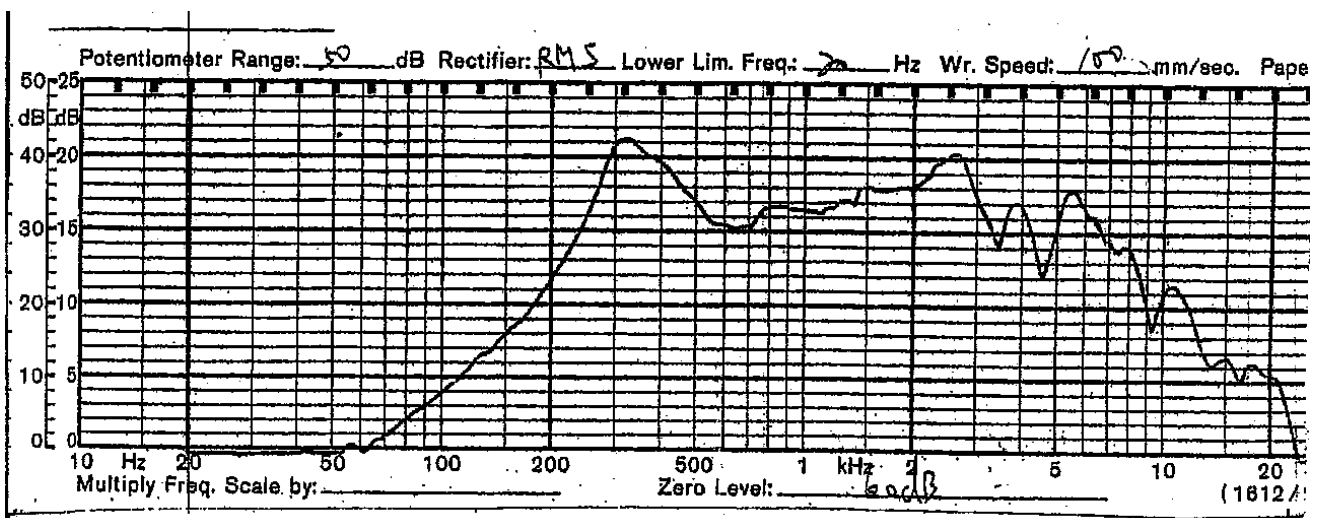


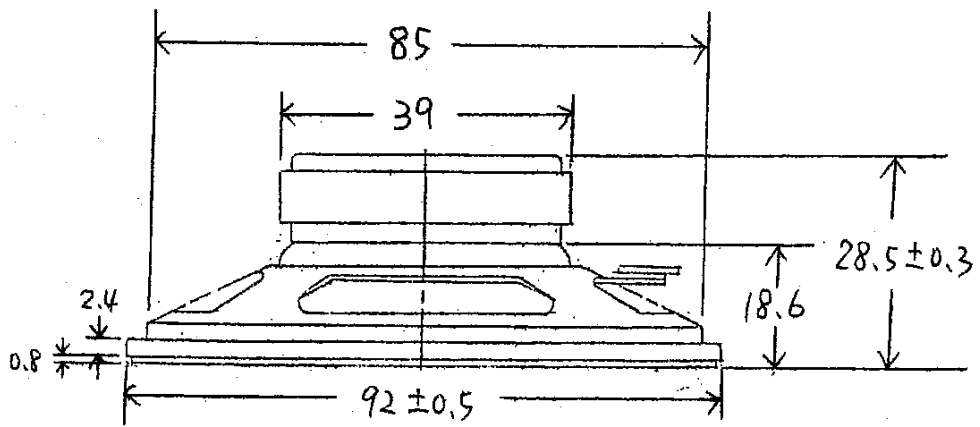
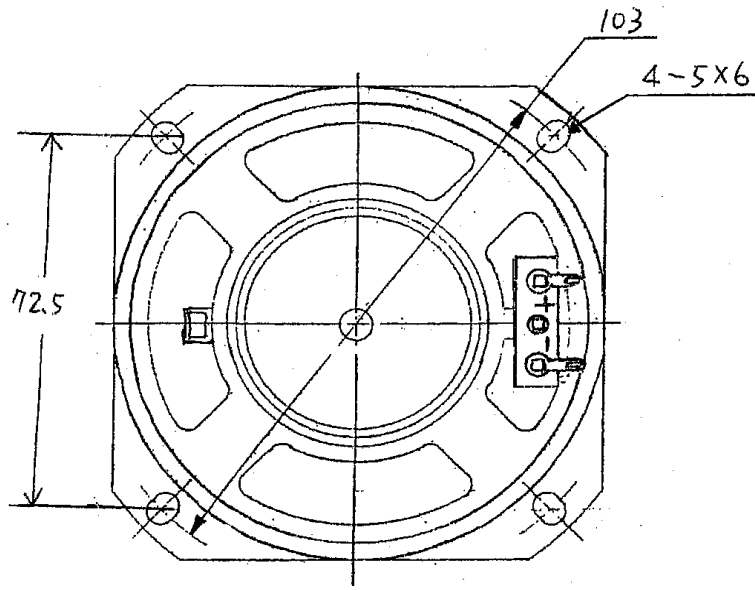
SHOGYO INTERNATIONAL CORP.

www.shogyo.com

SPEAKER SPECIFICATIONS

MODEL NO.	GF0927X (RoHS)				
1	NOMINAL SIZE	92 mm	3-1/2	inch	
2	IMPEDANCE	8 Ω ± 15%	at. 800 Hz	1 V	
3	RESONANCE FO	300 Hz ± 60 Hz	FO Hz	1 V	
4	S.P. LEVEL	93 dB/w ± 3 dB	1 W 50 cm average at		
5	FREQ. RESPONSE	Fo Hz ~ 13K Hz	MAX 10 dB	500, 700, 900, 1K Hz	
6	INPUT POWER	Nominal Input 2 W	Handling Capacity 3 W		
7	OPERATION	Must be normal at program source 2 W			
8	BUZZ, RATTLE, ETC.	Must be normal at Sine Wave 4 V			
9	MAGNET	39 x 22 x 7 mm			
10	FLUX DENSITY	Gauss ± 10%	total flux max well within		
11	TOTAL WEIGHT	gr	oz		
12	LOAD TEST	After test meets Item 7 and 8	White noise 2 W 5 Hours		
13	DISTORTION				
14	HEAT TEST	After test meets Item 7 and 8	70 ± 2° C 20-50 % R.H. 5 Hours		
15	HUMIDITY TEST	After test meet Item 7 and 8	40 ± 2° C 90-95 % R.H. 5 Hours		





MODEL NO. GF0927X

APPROVED	CHECKED	DRAWING